

DEMON HURRICANE RANGE

Hurricane P1

Hurricane P2 & P2 Hose Reel

Hurricane P4 & P4 Hose Reel

Hurricane D1ES & D1ES Hose Reel

Hurricane P2, P4 & P5 Combi

Including electric start variants

Declaration of Conformity

(E.H.S.R.)

We, Demon International Limited of Abbots Close, Lee Mill Industrial Estate, Ivybridge, Devon, PL21 9GA, declare that this machine must be operated in accordance with the operation and safety instructions as supplied with this machine. This machine is manufactured in accordance with the following standards and recommendations.

HSE PVB PM29 - BS5415 Part - BS5415 Section 2.4 1986

This instruction manual is relevant only to the following machine and will not be kept updated unless specifically requested by the customer. However, any changes to the operating procedure or changes which might affect the safety of this machine will be notified to the registered owner of this machine only.

MACHINE TYPE	
SERIAL NUMBER	
WORKING PRESSURE	
DATE OF SUPPLY	

Technical Specifications

Hurricane P1

Engine	Honda GX120 4HP@3600rpm	Air Filter HONDA0032
Pump	AR RSV 3G25D + F25	
Pressure	1500psi / 100	
Flow	11.4lpm/ 2.5gpm	
HP Nozzle	25045	
Unloader	Integrated	
Pump oil	10W/40	
Noise		

Hurricane P2 & P2 Hose Reel & P2 Combi

Engine	Honda GX200 6.5HP @3600rpm	Air Filter HONDA0031
Pump	AR XT13.15	
Pressure	2200psi/150Bar	
Flow	13 lpm /2.9gpm	
HP Nozzle	25045	
Gearbox	2:1 Reduction	
Unloader	Minimatic4B ARMM4B/C	
Pump Oil	10W/40	
Gearbox oil	EP90	
Gearbox	ARCRXT	
Noise		

Hurricane P4 & P4 Hose Reel & P4 Combi

Engine	Honda GX340 11HP @3600rpm	Air Filter HONDA001
Pump	AR RK15-20H	
Pressure	2900psi / 200Bar	
Flow	15 lpm / 3.3gpm	
HP Nozzle	2505	
Gearbox	2:1 reduction	
Unloader	Gymatic 3BARGM3B250	
Pump oil	10W/40	
Gearbox Oil	EP90	
Noise		

Hurricane D1ES & D1ES Hose Reel

Engine	Yanmar L100N 10HP @3600rpm	Fuel Filter	YAN55120
Pump	ARRK15-20H	Air Filter	YAN114650-125901
Pressure	2900psi/200 Bar	Injector	YAN714650-53100
Flow	15 lpm/ 3.3gpm		
HP Nozzle	2505		
Gearbox	2:1 Reduction		
Unloader	ARGM3B250		
Pump Oil	10W/40	Gearbox Oil	EP90

Hurricane P5 Combi

Engine	Honda GX390
Pump	ARRK21-15
Pressure	2200psi/150 Bar
Flow	21 lpm
HP Nozzle	40025
Gearbox	2:1 Reduction
Unloader	ARGM3B250
Pump Oil	10W/40
	Gearbox Oil EP90

Kits for Hurricane machines					
	Valve	Piston	Oil	Water	Support Rings
Hurricane P1	ARKIT2186	ARKIT2187	ARKIT2188	ARKIT2189	ARKIT2191
Hurricane P2	ARKIT1864	ARKIT2629	ARKIT1872	ARKIT1874	
Hurricane P4	ARKIT1828	ARKIT2757	ARKIT1856	ARKIT1857	ARKIT1829
Hurricane D1ES	ARKIT1828	ARKIT2757	ARKIT1856	ARKIT1857	ARKIT1829
Hurricane P5	ARKIT2864	ARKIT2759	ARKIT1855	ARKIT1888	ARKIT1816

FAULT FINDER

FAULT	CAUSE	REMEDY
Machine stops suddenly Or will not start.	P1/P2/P4—low oil D1—flat battery/fuse	<ul style="list-style-type: none"> • check and top up oil • Check/replace battery, replace fuse
Sudden pressure loss.	Water supply failed. No chemical	Check water supply. Check chemical drum, close valve
Low pressure	HP nozzle worn or unloader set Incorrectly.	Replace HP nozzle. Set unloader to correct setting.
Low pressure with noise and vibration.	Valves worn or blocked. Piston seals worn. Pump sucking air.	Clean/replace as required. Replace. Check water supply pipe and unions.
Pump will not by-pass.	Non return valve dirty or jammed.	Clean or replace.
Water drips from pump box.	Pump seals worn.	Replace.
Oil drips from pump bottom.	Oil seal worn.	Replace.
Oil is milky in colour.	Water ingress through oil filter plug.	Rinse pump out and replace oil.

IF IN DOUBT ASK—OUR ADVICE IS FREE AND CAN SAVE YOU MONEY



MINIMUM SERVICE SCHEDULES

DAILY CHECK THE FOLLOWING

- a. Oil level - top up as required.
- b. Fuel tank - top up as required.
- c. All hose unions for leaks- replace O rings if leaking.
- d. Hose condition - cuts etc.
- e. If using sea water flush after use with fresh water and spray any three way valves with Silicone spray to lubricate valve.

EVERY 500 HOURS OR SIX MONTHS (WHICHEVER COMES FIRST)

- a. Drain and replace pump oil.
- b. Drain and refill fuel tank.
- c. Replace fuel filter.
- d. Clean water filter.
- e. Replace high pressure nozzle.

EVERY 1000 HOURS OR 12 MONTHS (WHICHEVER COMES FIRST)

- a. Complete 500 hour service.
- b. Replace pump seals.
- c. Replace oil seals.
- d. Check unloading pressure and safety valve pressure and adjust.

The above service schedules are intended as a guide only, actual service times and replacements parts required will vary according to the area and the usage of the machine.

SERVICE PARTS

P1

ARKIT2189	SEAL KIT
ARKIT2190	VALVE SEALS
AR2760400	PISTONS
ARKIT2186	H P VALVES
HONDA003	AIR FILTER
HONDA004	SPARK PLUG
N26001/25045	HP NOZZLE
DEM10115	DETERGENT PIPE
AR1981570	SEAL CARRIERS X 3

P2

ARKIT1874	SEAL KIT
ARKIT2812	VALVE SEALS
AR1271160	PISTONS
ARKIT1864	H P VALVES
AR1980200	VALVE TUBES
HONDA0031	AIR FILTER
N26001/25045	HP NOZZLE
DEM10115	DETERGENT PIPE
AR1320351	SEAL CARRIERS X 3

SERVICE PARTS

P4 & P4HR

ARKIT1857	SEAL KIT
ARKIT2611	VALVE SEALS
AR1560320	RELIEF VALVE PISTONS
AR1560051	RELIEF VALVES TUBES
ARKIT1828	HP VALVES
HONDA001	AIR FILTER
HONDA004	SPARK PLUG
N26001/25045	HP NOZZLE
DEM10115	DETERGENT PIPE
AR1380090	SEAL CARRIERS X 3

D1ES&D1ESHR

ARKIT1857	SEAL KIT
ARKIT2611	RELIEF VALVE SEALS
AR1560320	RELIEF VALVE PISTONS
AR1080831	RELIEF VALVES TUBES
ARKIT1828	HP VALVES
YAN114650-125901	AIR FILTER
YAN55120	FUEL FILTER
N26001/1505	HP NOZZLE
DEM10115	DETERGENT PIPE
AR1380090	SEAL CARRIERS X 3

OPERATING INSTRUCTIONS

SAFETY

I Water at high pressure is dangerous and can cause serious injury. This machine is to be used with great caution.

II Petrol is extremely flammable and explosive under certain conditions.

EXHAUST FUMES CONTAIN CARBON MONOXIDE – Inhalation of such fumes can KILL.

III Diesel is flammable and harmful if swallowed.

A Always refuel in an area which is adequately ventilated.

B DO NOT smoke when refueling.

C Avoid overfilling.

D Should fuel be spilt, wipe off any fuel spilt on machine or engine.

E Move the equipment away from the area where fuel has been spilt.

F DO NOT refuel when the engine is running.

G DO NOT run the engine in an area which has a hazardous or explosive atmosphere.

H Always ensure that the fuel cap is secure after refueling.

I Keep the engine at least 3 metres or more away from any other equipment or Building.

J Take care not to get fuel on your clothing. If this happens – CHANGE your clothing IMMEDIATELY.

DO NOT start an engine when clothing has been contaminated with fuel.

K Use only approved type containers for fuel. DO NOT stand them out in strong sunlight, keep them in the shade.

- L Always ensure that there is a suitable type fire extinguisher available and is within easy access.
- M DO NOT leave an engine running unattended, ALWAYS STOP it before leaving the area.
- N NEVER point the high pressure spray jet at any person, animal, glass or other Material which may shatter.
- O PREVENT any over spray from injuring other people or damaging property.
- P DO NOT even try to use a pressure washer on machinery or electrical equipment that is connected in any way to the mains supply (ALL switches in the OFF position, pull out plugs, if possible remove fuses). Cover or seal electric motors and fittings to prevent entry of water. Before reconnecting electric mains supply check for water penetration.
- Q DO ALL you can to keep plugs and sockets in a dry place or covered to prevent entry of water.
- R ALWAYS when using this machine:-
- wear safety goggles and helmet or helmet with a visor.
 - Wear waterproof clothing and gloves.
 - Take particular care with detergents and chemicals.
- S NEVER attempt to disconnect any hose with pressure in it or allow the hose to be flattened or kinked.
- T DO NOT use a high pressure hose from a ladder. Use a platform tower or proper scaffolding.
- U Should the equipment fail to operate, DO NOT attempt to rectify or repair, but contact the nearest Service Centre for advice.
- V Always rinse your pump out after using sea water.

PREPARATION

Water Supply:

- A Ensure there is an adequate water supply either from the mains or a reservoir.
- B Attach water supply hoses to suitable tap or immerse the suction hose with approved suction filter into the reservoir.

NOTE: ONLY CLEAN WATER SHOULD BE USED. THE PUMP MAY BE DAMAGED IF DIRTY OR CONTAMINATED WATER IS ALLOWED TO PASS THROUGH THE PUMP.

Hoses: Low pressure inlet.

For models up to 13 litres per minute use ½ " bore suction hose or feed pipe.

For models from 13 litres to 24 litres per minute use ¾" bore suction hose or feed pipe.

Hoses: High pressure outlet.

For all models use 3/8" RIT or 3/8" R2T hoses.

- A Check the condition of the "O" rings in the ends of the hose.
- B Attach the high pressure hose to the pump connection.
- C Attach the spray gun to opposite ends of the high pressure hose.

OPERATION

- A Turn on the water supply.
- B Start the engine
- C Direct lance on to surface to be cleaned. Press the lance trigger.

- D Adjust pressure regulator as required to obtain working pressure if required.
- E NOTE;The high pressure water will cause the gun to “kick”. Make sure you have a firm grip of gun and lance.
- F On completion of operation stop the engine.
- g. Operate lance trigger
- h. Turn “ OFF” water supply
- i. Release residual pressure in gun and lance by operating trigger.

When using Cleaning Agents:

- A. Set machine up as for water.
- B. Connect detergent hose to machine and place filter end into detergent.
- C. On completion of work, flush through hose and gun with clean water to remove any residual detergent.

NOTE: CHEMICAL PICKUP ONLY OPERATES AT PRESSURES BELOW 250PSI.

OPEN LANCE VALVE FULLY TO OBTAIN THIS PRESSURE.

Step by Step Operating Manual Demon Hurricane P1/P2/P4

How to start the Hurricane Petrol



1



Check gearbox oil and replenish as required.

2



Check pump oil and replenish as required.

3



Check engine oil and replenish as required.

4



Check petrol and replenish as required.

5



To suck water from butt – attach suction hose & filter to machine

6



Place filter in bucket or water source & connect hose to machine & tighten

7



Attach trigger to high pressure hose.

8



Turn engine switch to 'on' position.

9



Turn fuel to 'on' position

10



If this is first use of the day then switch the choke to the 'on' position

11



Pull the recoil to start.

Step by Step Operating Manual Demon Hurricane P1/P2/P4

12



Once the machine is running gently turn the choke to 'off' position

13



To switch off turn the engine button to the 'off' position.

14



Release any pressure in hose by squeezing trigger and disconnect hoses from machine.

15



To transport – ensure fuel is to the 'off' position

Model	Max operating Pressure	Operating Range	Nozzle
P1	1500 psi	1000-1500 psi	04
P2	2200 psi	1500-2200 psi	045
P4	2900 psi	2200-2900 psi	05

Step by Step Operating Manual Demon Hurricane Diesel

How to start the Hurricane Diesel



1



Check gearbox oil using dipstick or sight glass - replenish as required.

2



Check pump oil with dipstick or sight glass - replenish as required.

3



Check engine oil and replenish as required.

4



Check diesel using sight measure and replenish as required.

5



To suck water from butt – attach suction hose & filter to machine

6



Place filter in bucket or water source & connect hose to machine & tighten

7



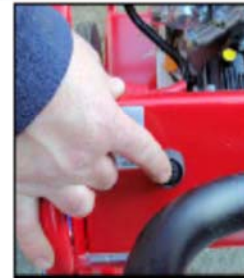
Attach trigger to high pressure hose.

8



Push throttle into 'start' position and tighten knob.

9



Push button to start.

Step by Step Operating Manual Demon Hurricane Diesel

10



To switch off unscrew knob and move throttle to the 'stop' position..

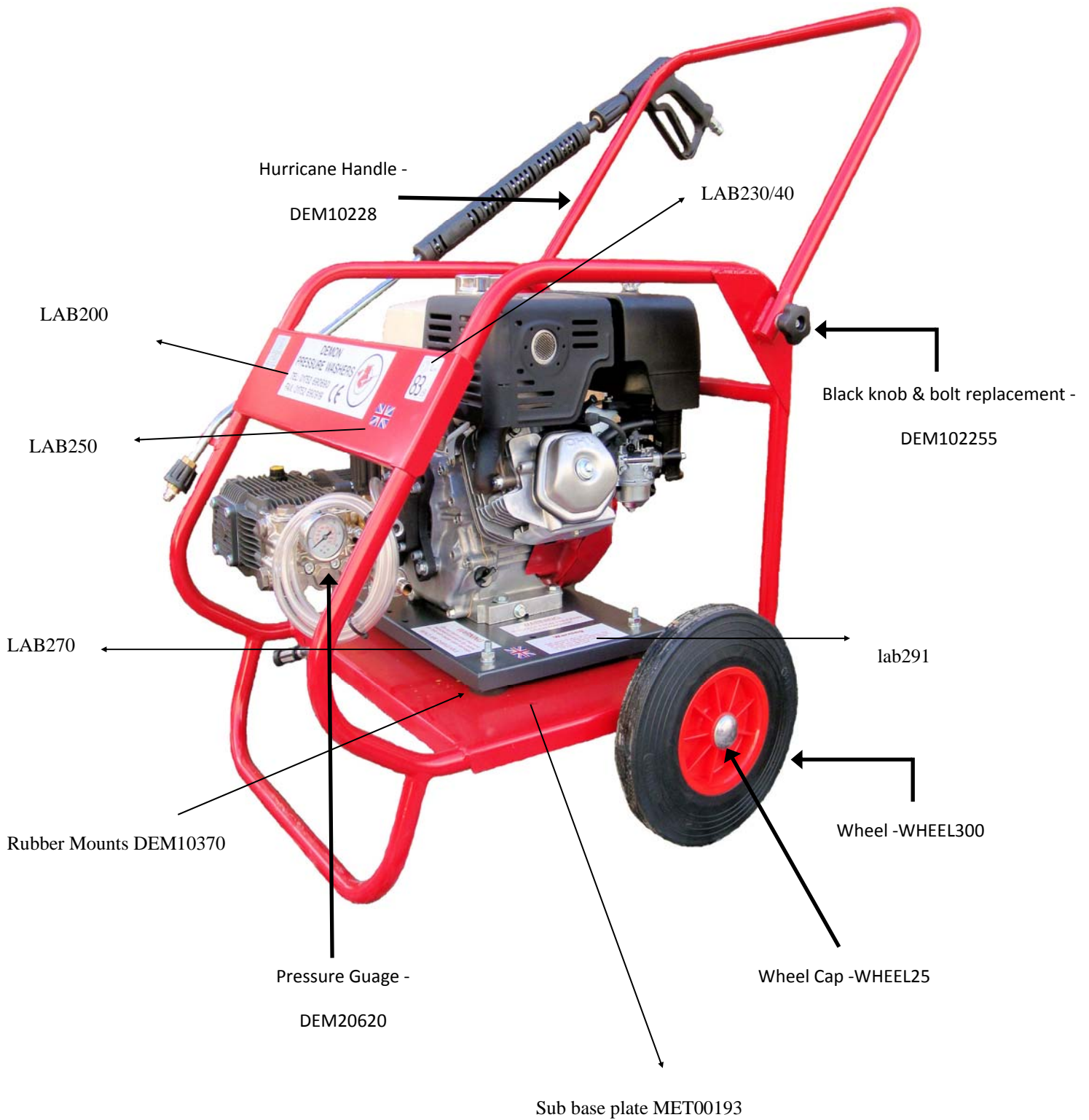
11



Release any pressure in hose by squeezing trigger and disconnect hoses from machine.

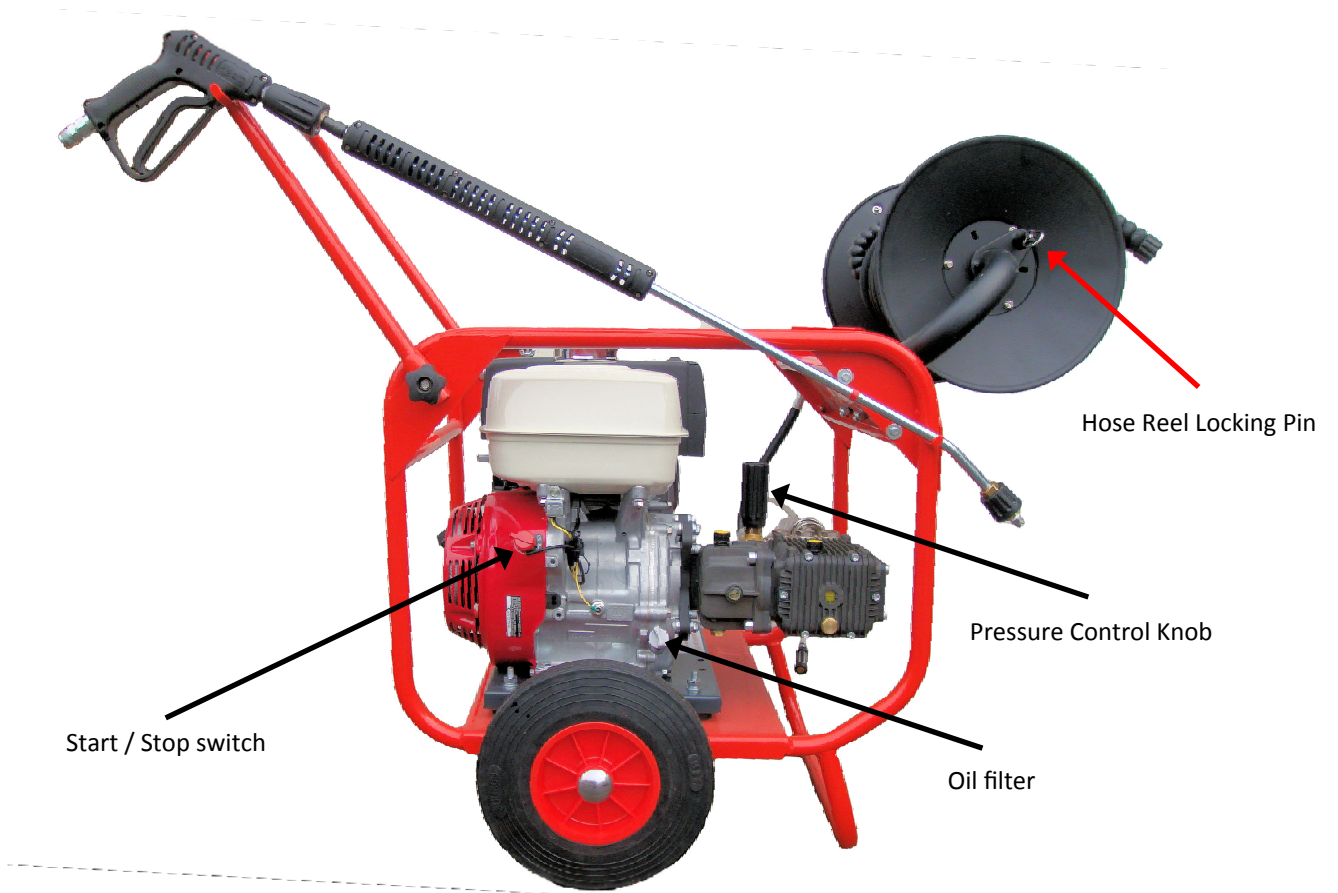
Model	Max operating Pressure	Operating Range	Nozzle
D1	2900 psi	2200-2900 psi	05

Hurricane - General Arrangement Petrol/Diesel & Electric Start



Demon Hurricane Range Arrangement Drawing—

Petrol/Diesel Start with Hose Reel



Manual Hose Reels

New & Current Hose Reel Options

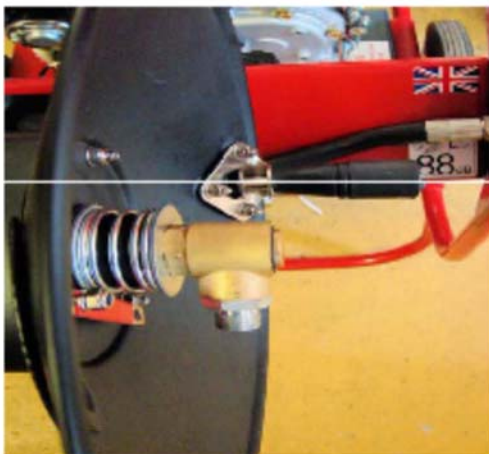
15m manual hose reel

As found on: Storm 4 Hire, Hurricane P2 4 Hire, Tomado Mini-Bowser P1 & P2



30m manual hose reel

As found on: Hurricane P4 HR, Hurricane D1ES HR, Tomado P4 & D1ES Bowser



Manual Hose Reels

Older Hose Reel Options

Manual hose reel (30m)

As found on: Hurricane P4 HR, Hurricane D1 HR, Typhoon Trailer Mounted



Stainless steel swivel - MTM20091/1
Brass Swivel Housing - MTM20092



Manual hose reel (30m)

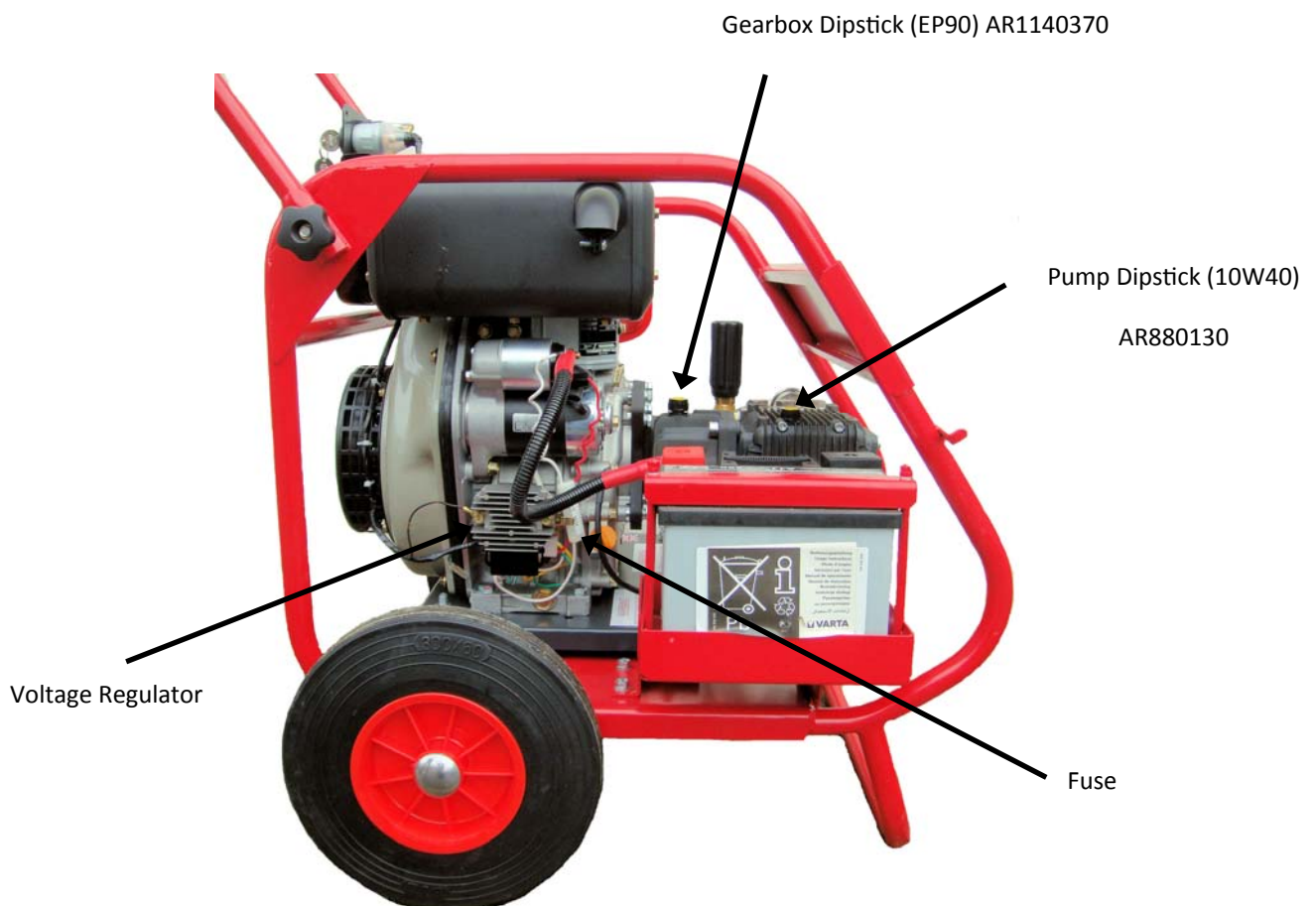
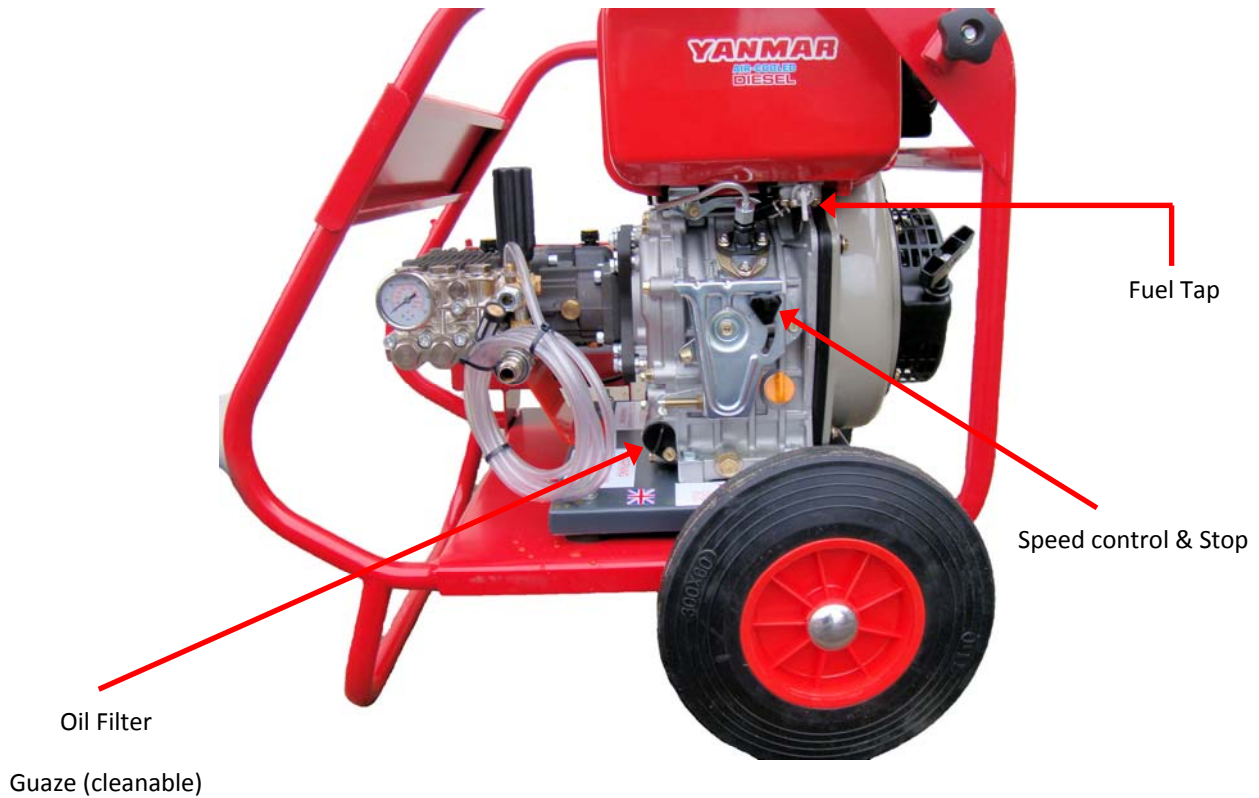
As found on: Tornado Bowser, Tornado Van Pack



Brass Hose Swivel - MTM20K005

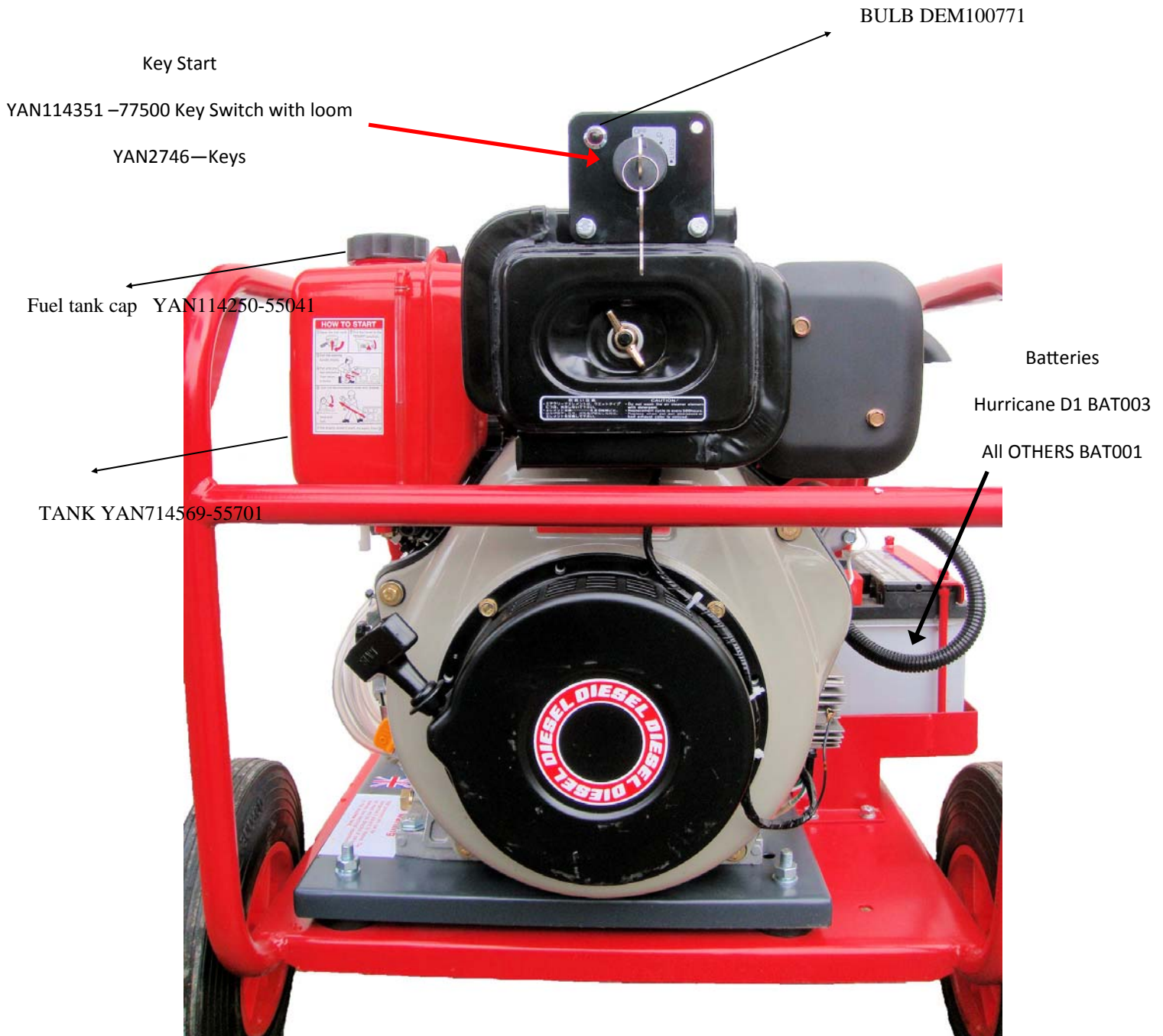


Demon Hurricane Range Arrangement Drawing— Electric Start



Demon Hurricane Range Arrangement Drawing— Electric Start

Rear View



Demon Hurricane Combi P2 & P4



Technical Data	P2 Combi	P4 Combi
Pressure	2200 PSI	2900 PSI
Nozzle Size	25045	2505
Water Flow (at full pressure)	13 litres/minute	15 litres/minute
Engine	Honda GX200	Honda GX340
Engine Power	6.5 HP	11 HP
Starter	Rope	Rope
Gearbox	2:1 Reduction	2:1 Reduction
Weight	45 Kgs	78 Kgs

Attaching Hurricane Combi Handle



Place handle onto base and align holes with bracket.

Tighten bolt and nyloc nut using 17ml spanner.

Adjust height by inserting bolt into one of the three holes and tighten black knob.



WARRANTY

This warranty covers the cost of all replacement parts and labour charges incurred, but does not cover the cost of transport or carriage. It is the owners responsibility to return the machine to a service depot or pay the traveling expenses of an engineer to attend. Demon International`s decision in warranty matters is final and binding.

Demon International Ltd, undertake to repair or replace, at their discretion, any component which may fail due to a manufacturing fault within a period of 12 months from the date of purchase, provided that any fault or damage was not sustained by;

- A Lack of regular and proper maintenance, user negligence, misuse, or damage caused by ice or frost.
- B The effects of contaminated fuel or water, the use of non-approved chemicals, or an insufficient or unsuitable electrical supply.
- C The effects of un-authorized modification and use.
- D Compression damage to high pressure hose. (Hoses are warranted for one month only)
- E Worn out items considered wear and tear.

Parts which may or may not wear out during the first year and which are considered service items which will need replacing from time to time: High pressure nozzle, lance, trigger, hoses, fuel nozzle, fuel filter, piston seals, valves, unloader seats and seals, water filter, non-return valve, chemical barbs, chemical pipes, and pump oil seals.

It is the owners responsibility to ensure the pressure washer is kept in a safe and suitable environment and any faults reported by operatives to be rectified at the earliest possible date.

It is the operators responsibility to check the pressure washer for any faults and report them immediately, and to use the pressure washer in accordance with the manufacturers specifications and guidelines.

Demon International Ltd, undertake to use the highest quality components available during manufacture, but can not be held responsible for any undue consequence arising from the use of their pressure washers.

This warranty is given to the original purchaser only and is not transferable without the fully authorized and written consent of Demon International Ltd.

The 3 year Structural Warranty refers to all Demon fabricated structural parts, but this does exclude the Boiler Coil.

Warranty Procedure

End Users

If your machine develops a problem:

1. Phone Demon for advice with the model and serial number to hand.
2. Describe fully the problem as best you can.
3. If the problem cannot be resolved over the phone then the machine can be booked in for repair and if the faults are covered by the warranty the repair will be carried out free of charge.
4. If you cannot bring the machine in for repair then we will despatch an engineer. If the fault is covered by the warranty then we will not charge for labour or spares used, however the transport charge will be payable weather or not the repair is warranty.

Hire Centres and Dealers

If your machine develops a problem:

1. Phone Demon for advice with the model and serial number to hand.
2. Describe fully the problem.
3. We will advise you on the best course of action, however if parts are required you must raise a purchase order number to cover the parts. When the parts are fitted they must be returned for examination before a credit note is issued.
4. If you are unable to repair the machine then we will despatch an engineer to carry out the repair. We will need a purchase order to cover the cost of transport to and from the site and for parts and labour if the repair is not covered under the warranty.
5. If required Demon will arrange for a carrier to collect a damaged machine, if the warranty claim is valid we will pay this cost, if not it will be charged to the customer.

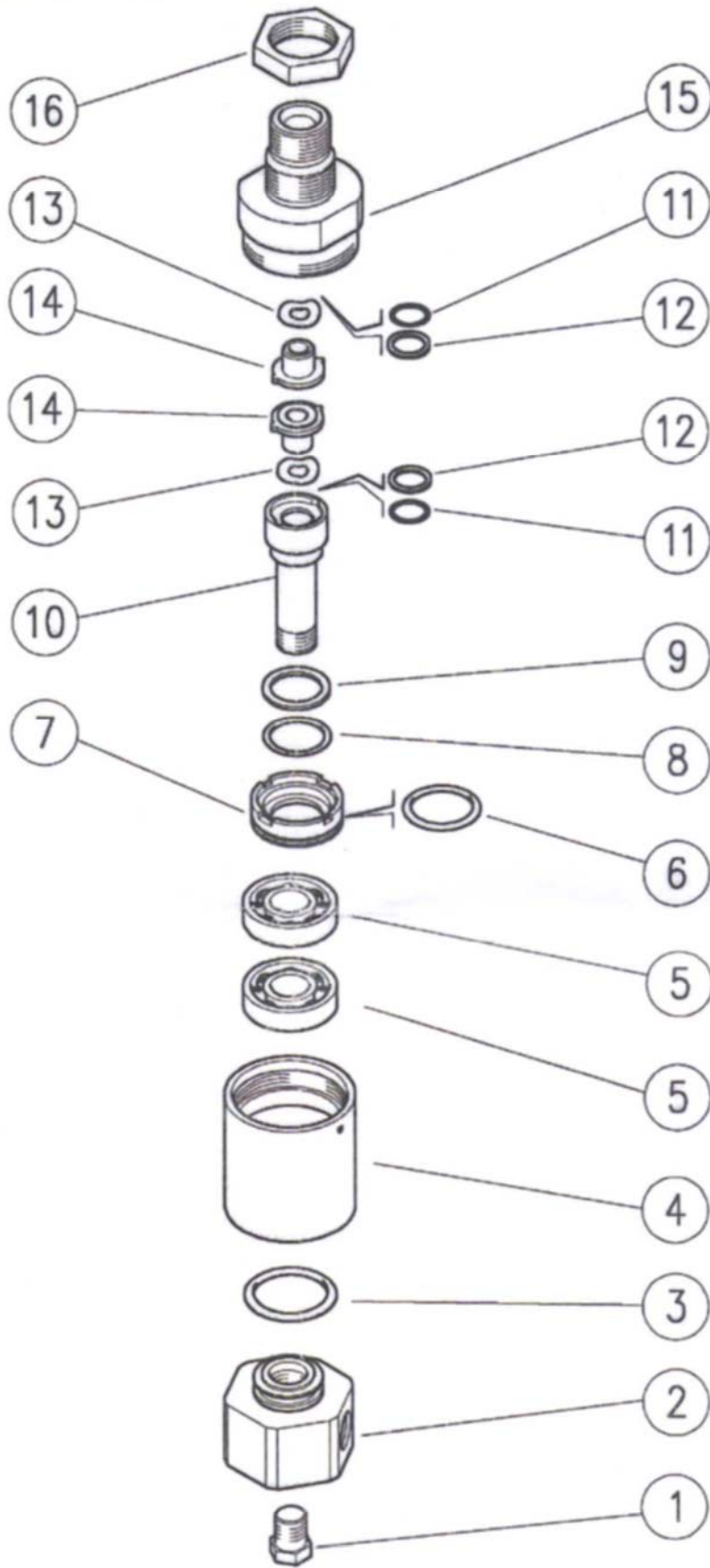
For parts warranty ring Demon and request a warranty claim form faxed to you. This form must accompany any returned parts.

Notes:

You will not invalidate the warranty by investigating faults and repairing them yourself providing you follow our advice. Hire Centres and Dealers are expected to carry out all repairs themselves with Demon crediting faulty parts upon receipt and inspection.

Spare parts fitted to machines are guaranteed for 1 month only or the remainder of the warranty period whichever is longer.

26.1400.00 GR38 -Rotating Head, 3/8M Bsp - 2xM12



Hurricane Combi Rotating Head

Position	Part Number	Description	Quantity
1	1533711.18	Grub screw	1
2	26.1405.31	Fitting M12 x 1" F	1
3	10.3180.10	O-ring	1
4	26.1404.31	Body	1
5	11.4410.32	Sst ball bearing	2
6	10.3077.10	O- ring	1
7	26.1403.31	Spacer ring	1
8	10.3068.25	O-ring	1
9	10.4012.60	Seal Ring	1
10	26.1402.51	Rotating pin	1
11	10.3057.10	O-ring	2
12	10.4010.60	Back-up ring	2
13	10.1110.51	Sst ring	2
14	26.1406.83	Seat	2
15	26.1401.31	Coupling 3/8-1/2 Bsp	1
16	29.0175.31	Nut 1/2F Bsp	1



Nozzles - you can't get pressure without one!

How do I know which nozzle I have?

Look at this part of the nozzle and it will have a four or five digit number which gives the angle of spray as the first two digits. The next two or three numbers are the size. (i.e. 25045 is 25° spray angle with 045 size aperture.)



Pressure starts and ends at the nozzle. The volume of water pushed down the hose and forced through the small hole determines the pressure on the gauge. Try taking the nozzle out and then pulling the trigger. You get virtually no pressure registering on the gauge.

The golden rule when diagnosing a loss of pressure is **to start at the nozzle** and work back to the pump. Example: a new Typhoon is delivered to your branch and is left in the workshop for a few days until a hire comes up. The lance gets pinched to go out with one of your other pressure washers so you search around for something to use and find a lance that will do. Unfortunately it came from a petrol pressure washer and now the Typhoon will only do 1500psi. It must be Demon's fault. Get them to dash out and sort it out, must be warranty! No its the nozzle. An 055 fitted to a petrol pressure washer will only give 1500psi when used on a Typhoon. (This has happened!)

Example: I can't check that the right nozzle is fitted because the numbers are worn away. If you can't read the number then the nozzle is old a probably worn out. Fit a new one and see what pressure you get. (All the lances are now colour coded)

Model	Flow	Pressure	Nozzle	Colour
Storm 1 & 2	11 litres	1500 psi	25045	Blue
Storm Freestanding/ Wallmounted 1	11 litres	1500 psi	25045	Blue
Storm Freestanding/ Wallmounted 4	15 litres	2900 psi	2505	Red
Storm 500	15 litres	7000 psi	2505	Red
Tempest 1 & 3 Auto inc Cabinet	11 litres	1500 psi	25045	Blue
Tempest 4 Auto inc Cabinet	15 litres	2900 psi	2505	Red
Hurricane P1	11 litres	1500 psi	25045	Blue
Tornado & Hurricane P2	13 litres	2200 psi	25045	Blue
Tornado & Hurricane P4 & D1ES	15 litres	2900 psi	2505	Red
Mini-Bowser P1	11 Litres	1500 psi	25045	Blue
Mini-Bowser P2	13 Litres	2200 psi	25045	Blue
Typhoon 1, 2, P4 & Evolution Models	15 litres	2900 psi	2505	Red

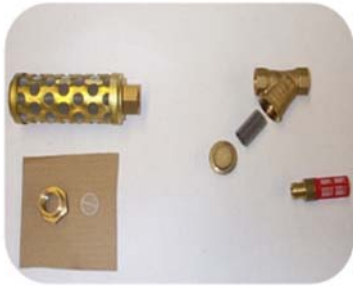
Demon Technical Support 01752 - 690690

Lance and Machine Colour Codes

Part Number	Description	Storm	Wall Mounted	Hurricane	Tempest Inc Cabinet	Typhoon	Evolution	Tornado & Mini-Bowser
DEM10031B	Cold Water Lance 045 Blue	Storm 1 & 2, FS1	WM1	P1 & P2	N/A	N/A	N/A	P1 & P2
DEM10031R	Cold Water Lance 05 Red	FS4	WM4	P4 & D1	N/A	N/A	N/A	P4 & D1
DEM10032B	Hot Water Lance 045 Blue	N/A	N/A	N/A	Tempest 1, 3 & 4 (13.17 pump)	N/A	N/A	N/A
DEM10032R	Hot Water Lance 05 Red	N/A	N/A	N/A	Tempest 4 (15.20 Pump)	Typhoon 1, 2 & P4	Evo1 & Evo 2	N/A



I can't get the pressure to where it used to be – where do I start?



Well by now you should know to check the nozzle - assuming that is correct and you still have no or low pressure the golden rule is to connect the pump to the mains water supply - whichever machine you are testing start with a good mains feed.

1. With the gun and lance connected turn the tap on - can you see a leak? If so there is your problem, if water can leak out air can get in and the pump won't produce pressure - simple as that. (Leaks from underneath the pump are either worn seals or a cracked piston - strip to find out which.)

Remedy: Fix leak or replace seals or piston.

2. Check enough flow of water can get into the pump. Make sure all the filters are clean. The new Tempest hot water machines have a fine filter which will remove most solids. All Demon machines are now double filtered. Have you checked both of them?

Remedy: Strip and inspect filters.

3. There are no leak's what next? With the pump switched off pull the trigger, water will spray out. Keeping the trigger pulled switch the pump on, if the water spray does not improve the valves are the fault. Either worn out or dirty. Strip and inspect. (The high pressure hose will also vibrate on the ground.)

Remedy: Replace or clean valves.

4. The valves are OK there are no leaks but it still won't get up to pressure – what next? The unloader valve piston and seat are damaged or worn allowing some of the water to circulate around the cylinder head - strip and inspect, you will see any damage.

Remedy: Strip unloader and inspect - replace damaged parts.

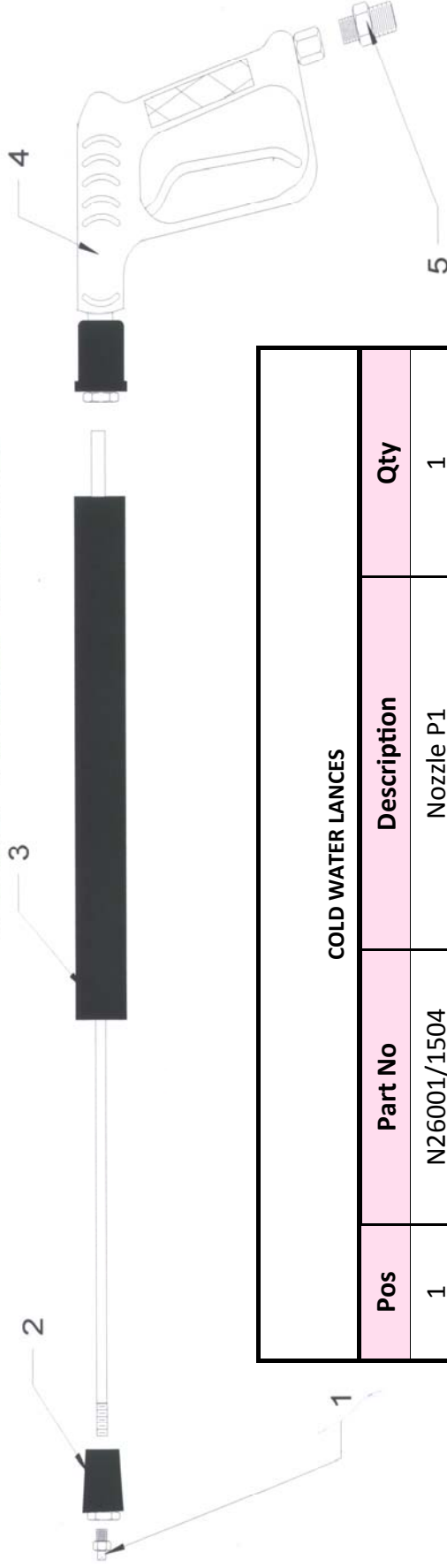
5. My cold water pressure washer does not feel as powerful as it used to be but the pressure gauge shows the correct pressure. What causes this? The chemical pick-up has a nozzle of 1.8mm or 2.0mm size and can get partially blocked. This will allow some but not all of the water to flow to the lance.

Remedy: Strip and remove the blockage.

6. The pressure remains high even when I let go of the trigger and the engine or motor is struggling or stalling. The non- return valve in the unloader is damaged or jammed.

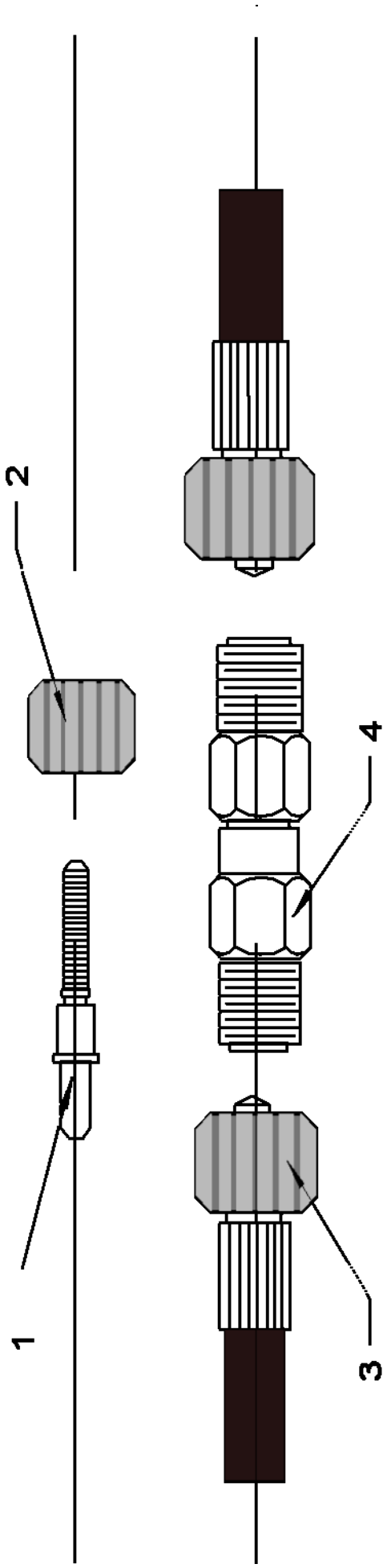
Remedy: Strip and clean or replace.

Cold Water Lance



COLD WATER LANCES			
Pos	Part No	Description	Qty
1	N26001/1504	Nozzle P1	1
1	N26001/15045	Nozzle P2	1
1	N26001/1505	Nozzle P4 & D1ES	1
2	MTM90040	Adjustable Nozzle	1
3	DEM10031B	QR Lance P2	1
3	DEM10031Y	QR Lance P1	1
3	DEM10031R	QR Lance P4 & D1ES	1
4	DEM10030	QR Trigger	1
5	MTM70012	MVG Coupling	1
6	MTM70033	Quick Release Coupling	1
7	MTM70033A	Rubber seal for QR Trigger	1
8	Mtm70032	QR Stem	1

High Pressure Hoses



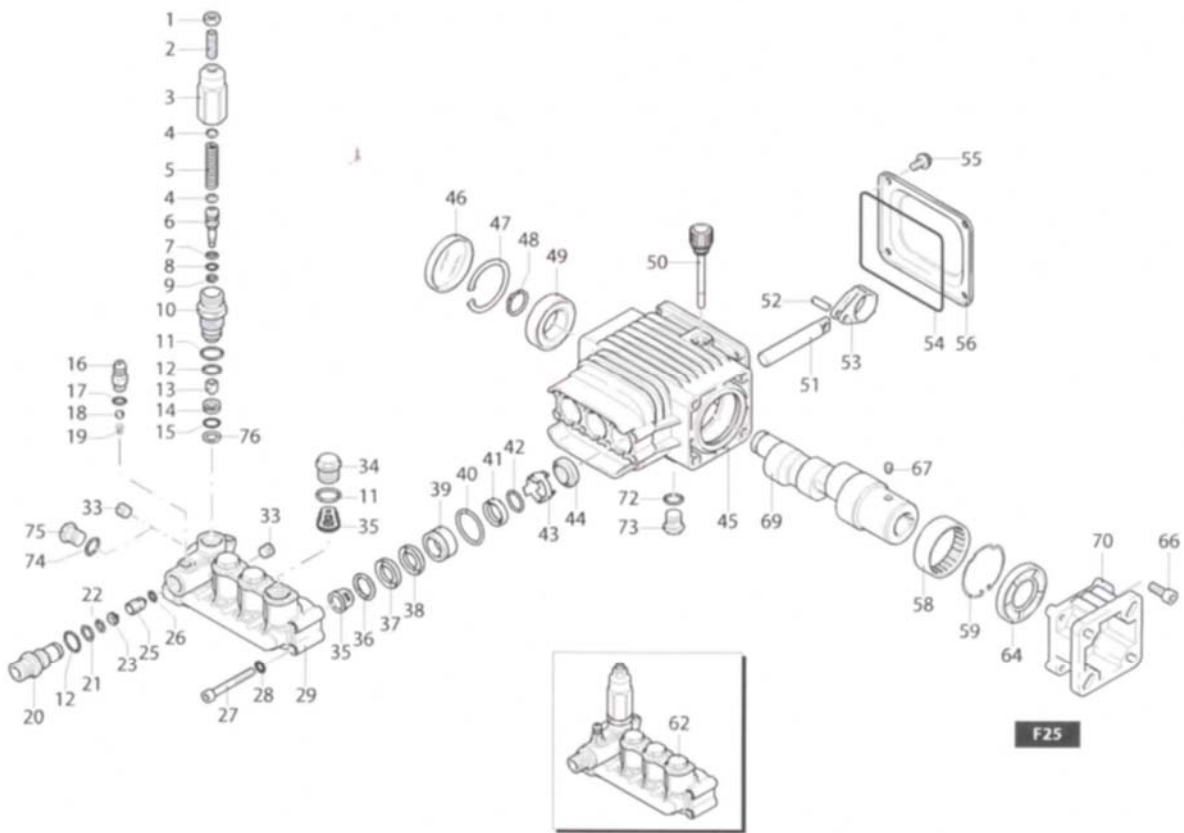
1.	Hose Insert	MV00490 (items 1 & 2)
2.	Nut	
3.	High Pressure Hose	HH00030MVG
4.	Hose Joiner	MV00500
Alternative Hose Lengths		
	15 Metre	HH00050MVG
	30 Metre	HH00100MVG

RSV

VERSION

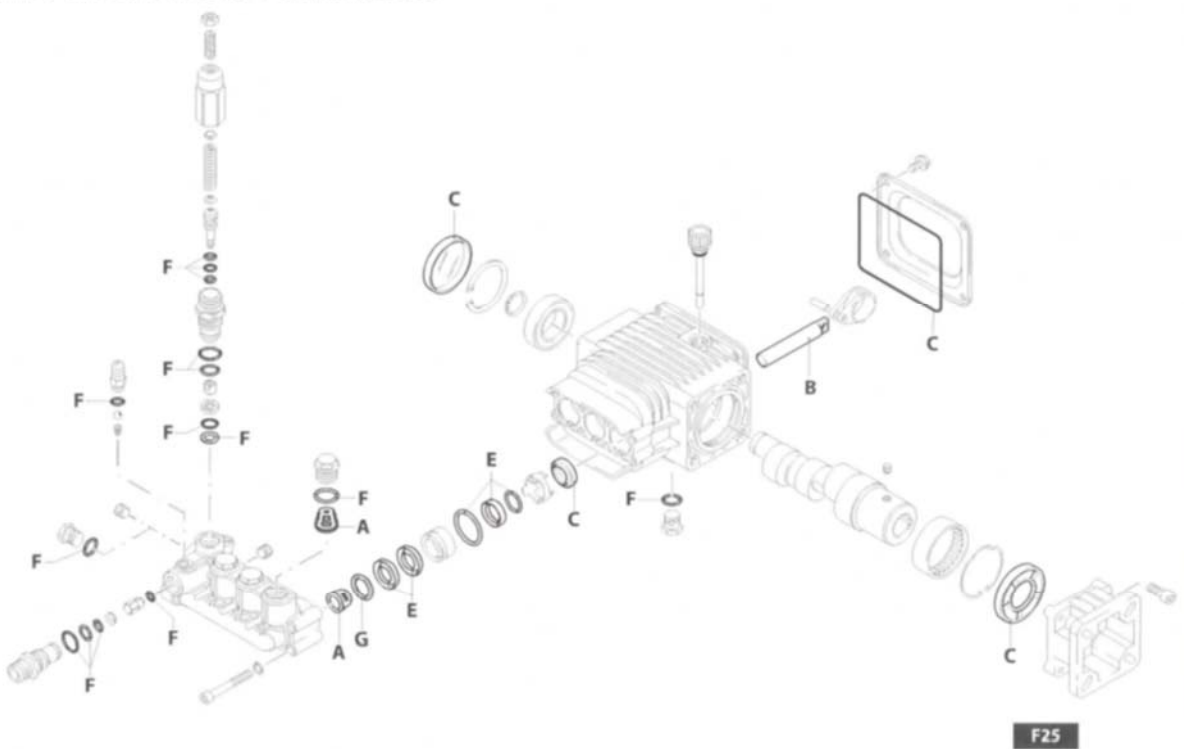
D 3400rpm

Ø 3/4"



UN001890-DU

KIT RICAMBI / PART KITS



- A
- B
- C
- E
- F
- G

UN001891-DU

276 Series

RSV 3400 rpm D version + F25 ø 3/4"

2 G25 3 G25



Pos.	Cod. Part n°	Denominazione	Description	Q.tà Q.ty	Note Vedi / See	Pos.	Cod. Part n°	Denominazione	Description	Q.tà Q.ty	Note Vedi / See
1	1260120	Dado M 6	Nut	1		45	2760010	Corpo pompa	Pump body	1	
2	392840	Grano M 6X16	Grub screw	1		46	1266740	Cappello chiuso	Cap	1	
3	2760480	Inserto manopola	Handle insert	1		47	1260790	Anello seeger Ø1 52	Circlip	1	
4	1980220	Piattello molla	Plate spring	2		48	1780550	Anello elastico	Snap ring	1	
5	2760410	Molla	Spring	1		49	1780490	Cuscinetto	Bearing	1	
6	2760400	Pistone valvola	Valve piston	1		50	880130	Tappo olio	Oil cap	1	
7	2260100	OR Ø 6,02x2,62	O-Ring	1		51	2760040	Pistone	Piston	3	
8	660190	OR Ø 6,07x1,78	O-Ring	1		52	1780050	Spinotto	Piston pin	3	
9	2760210	Anello antiestrusione	Ring	1		53	1780040	Biella alluminio	Alluminium con rod	3	
10	2760050	Guida pistone	Piston guide	1	C=35Nm	54	2760281	Guarnizione	Gasket	1	
11	1200690	OR Ø 15,6x1,78	O-Ring	4		55	802190	Vite TE M 6x12	Screw	4	C=8Nm
12	394280	OR Ø 12,42x1,78	O-Ring	2		56	2760110	Coperchio posteriore	Rear cover	1	
13	2260070	Otturatore by pass	By-pass jet	1	C=2Nm	58	1321190	Cuscinetto	Bearing	1	
14	2760980	Sede	Seat	1		59	1321080	Anello elastico	Snap ring	1	
15	770140	OR Ø 11,11x1,78	O-Ring	1		62	2769201	Prem. testa pompa	Pump head pre-ass.	1	▲
16	1982520	Portagomma	Hose tail	1	C=4Nm	64	2769236	Prem. testa pompa	Pump head pre-ass.	1	■
17	480480	OR Ø 4,48x1,78	O-Ring	1		66	480671	Anello tenuta	Seal	1	
18	1250280	Sfera	Ball	1		66	180030	Vite TCEI M 8x20	Screw	4	☉ C=24,5Nm
19	1560520	Molla	Spring	1		67	820440	Grano M 6	Grub screw	1	
20	2760230	Iniettore detergente	Detergent injector	1	C=40Nm	69	1780600	Albero ecc. cavo	Hollow shaft	1	▲ Marcato 10
21	2760270	OR Ø 12x1	O-Ring	1		70	1780590	Albero ecc. cavo	Hollow shaft	1	■ Marcato 9
22	1470210	OR Ø 9x1	O-Ring	1		70	1780580	Flangia mot.scoppio	Gas engine flange	1	F25
23	2760120	Inserto iniettore	Injector insert	1		72	740290	OR Ø 14x1,78	O-Ring	1	Optional
25	2760130	Otturatore	Jet	1		73	1980740	Tappo	Plug	1	Optional C=20Nm
26	2101770	OR Ø 4x2,5	O-Ring	1		74	820510	OR Ø 10,82x1,78	O-Ring	1	
27	801080	Vite TCEI M 6x50	Screw	8	C=10,4Nm	75	880581	Tappo	Plug	1	
28	1381550	Rondella	Washer	8		76	2760640	Anello antiestrusione	Ring	1	
29	2760330	Testa	Head	1							
33	2760260	Tappo 1/4" G conico	Plug	2							
34	2760180	Tappo valvola	Plug	3	C=50Nm						
35	2769050	Valvola completa	Complete valve	6							
36	2760220	Anello appoggio	Support ring	3							
37	1342761	Guarnizione	Gasket	3							
38	1981580	Anello antiestrusione	Ring	3							
39	1981570	Guida pistone	Piston guide	3							
40	770260	OR Ø 23,52x1,78	O-Ring	3							
41	1260440	Guarnizione	Gasket	3							
42	640070	OR Ø 13,95x2,62	O-Ring	3							
43	2760310	Distanziale	Spacer	3							
44	1260460	Anello tenuta	Seal	3							

KIT RICAMBI - PART KITS

A=KIT 2186 valvole valves		B=KIT 2187 pistoni pistons		C=KIT 2188 tenute olio oil seals		E=KIT 2189 tenute acqua water seals	
Pos.	Q.ty	Pos.	Q.ty	Pos.	Q.ty	Pos.	Q.ty
35	6	51	3	44	3	37	3
				46	1	38	3
				54	1	40	3
				64	1	41	3
						42	3

F=KIT 2190 OR O-Rings				G=KIT 2191 anelli appoggio support rings			
Pos.	Q.ty	Pos.	Q.ty	Pos.	Q.ty	Pos.	Q.ty
7	1	17	1	76	1	36	3
8	1	21	1				
9	1	22	1				
11	4	26	1				
12	2	72	1				
15	1	74	1				

SIMBOLOGIA - SYMBOLS

▲ Per / For
RSV 2 G25 D

■ Per / For
RSV 3 G25 D

C Tolleranza coppia di serraggio 0+10% / Tightening torque tolerance 0+10%

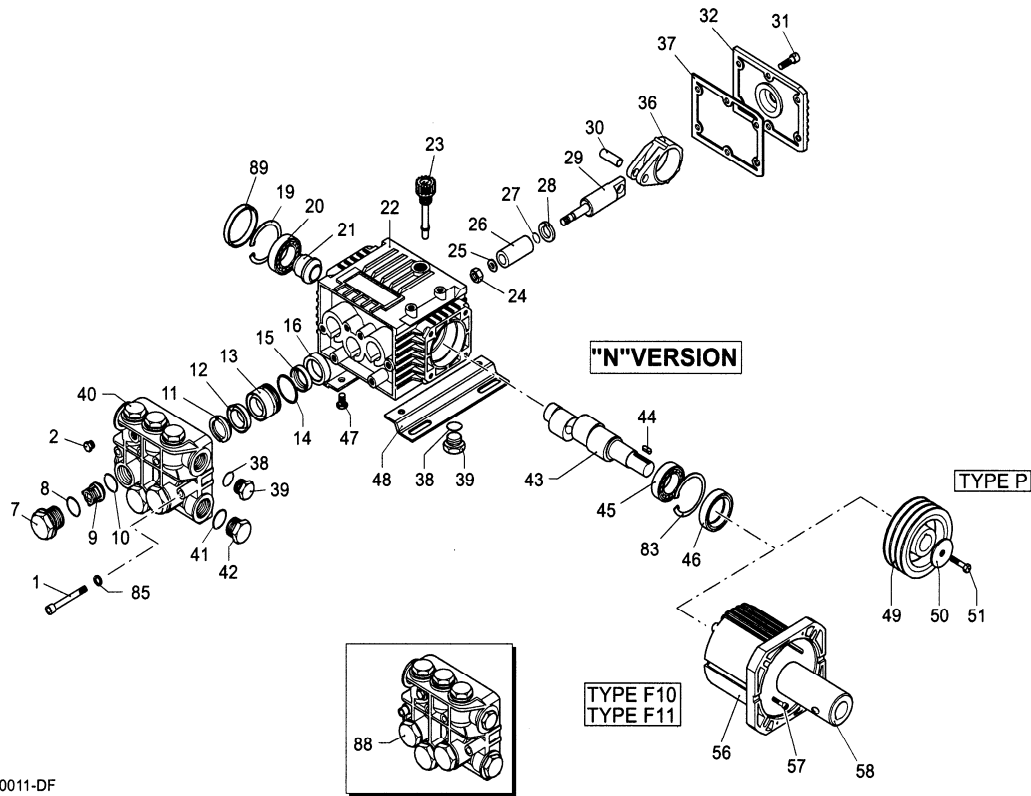
☉ Avvitare con Loxeal 55-14 / Screw with Loxeal 55-14

Olio - Oil

Tipo / Type	Quantità / Quantity
SAE 15W40	0,3 Kg

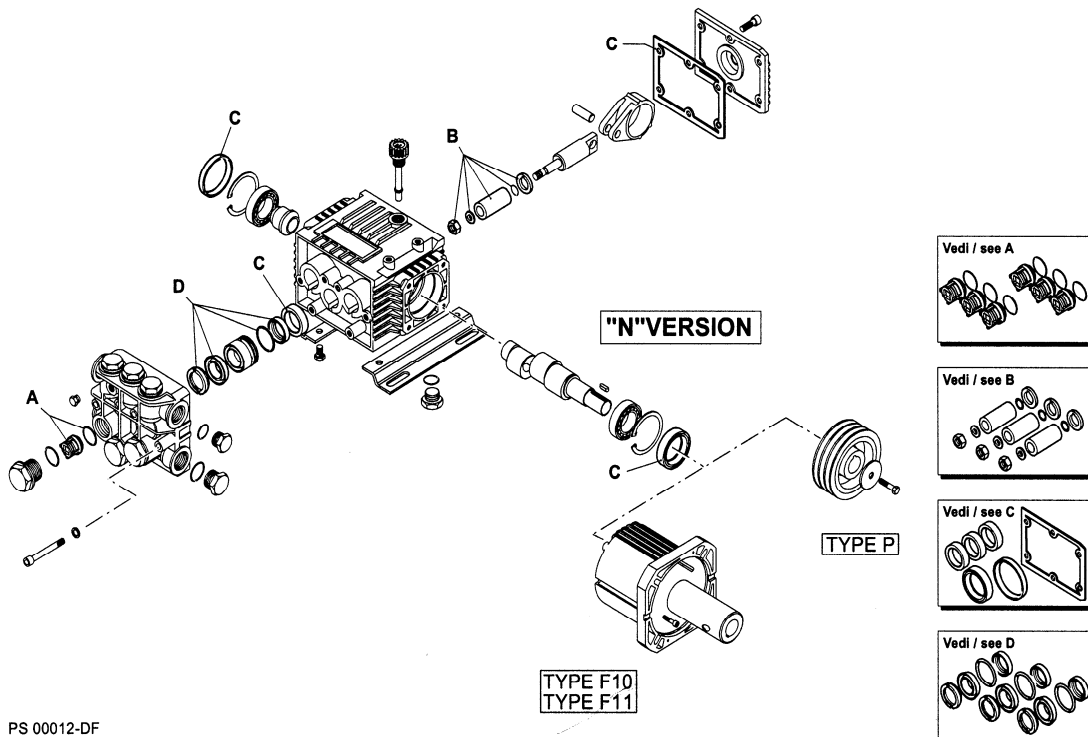
XT

VERSION **N** 1450 RPM



PS 00011-DF

KIT RICAMBI / PART KITS



PS 00012-DF

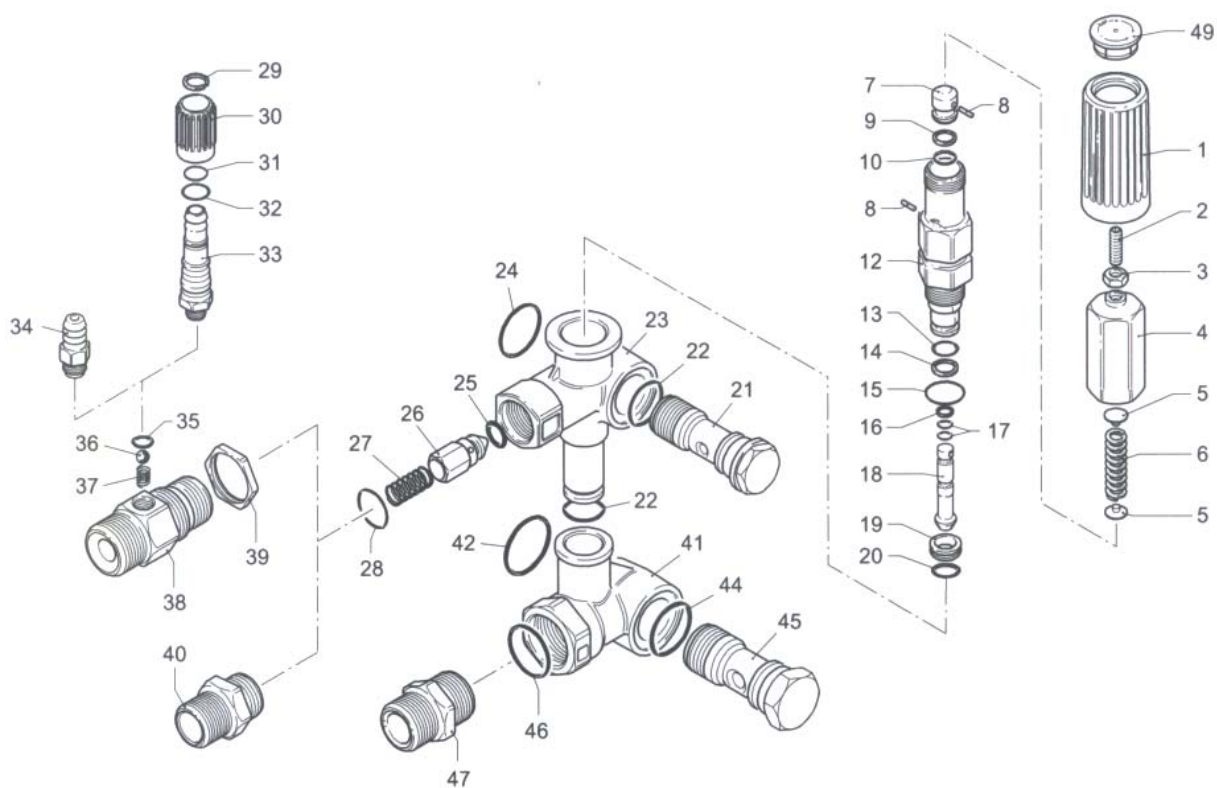
Hurricane Petrol XT 11.14 Pump / XT 13.12 Pump / XT 13.15 Pump

XT 1450							
Pos	Code No	Description	Qty	Pos	Code No	Description	Qty
1	AR1322730	Screw	6	40	AR1320020	Pump Head	1
2	AR620301	Plug	1	41	AR180101	O Ring	1
7	AR1260162	Plug	6	42	AR820361	Plug	1
8	AR960160	O Ring	6	43	AR1260200	Crankshaft	1
9	AR1269050	Complete Valve	6	43	AR1320260	Crankshaft	1
10	AR880830	O Ring	6	44	AR1380520	Key	1
11	AR1320340	Support Ring	3	45	AR1320370	Bearing	1
12	AR1260220	Gasket	3	46	AR1260750	Seal	1
13	AR1320351	Piston Guide	3	47	AR1260470	Screw	4
14	AR1260420	O Ring	3	48	AR1263890	Base	2
15	AR1260450	Gasket	3	83	AR1260790	Circlip	1
16	AR1260460	Seal	3	85	AR1381550	Washer	6
19	AR1260790	Circlip	1	88	AR1269222	Pump Head pre-ass	1
20	AR1320370	Bearing	1	89	AR1266740	Cap	1
21	AR1320330	Bushing	1				
22	AR1320010	Pump Housing	1				
23	AR880130	Oil Plug	1				
24	AR1260110	Nut	3				
25	AR1260100	Washer	3				
26	AR1260210	Piston	3				
27	AR480480	O Ring	3				
28	AR1260091	Spacer	3				
29	AR1260070	Guiding Piston	3				
30	AR1260080	Piston Pin	3				
31	AR1260760	Screw	6				
32	AR1269101	Complete Cover	1				
32	AR1329010	Complete Cover	1				
36	AR1260060	Con Road	3				
36	AR1320140	Con Road	3				
37	AR1260040	Gasket	1				
38	AR740290	O Ring	2				
39	AR1980740	Plug	2				

ARKIT1864		ARKIT2629		ARKIT1872	
Valve Kit		Piston Kit		Oil Seal Kit	
Pos	Qty	Pos	Qty	Pos	Qty
9	6	24	3	16	3
10	6	25	3	37	1
		26	3	46	1
		27	3	89	1
		28	3		

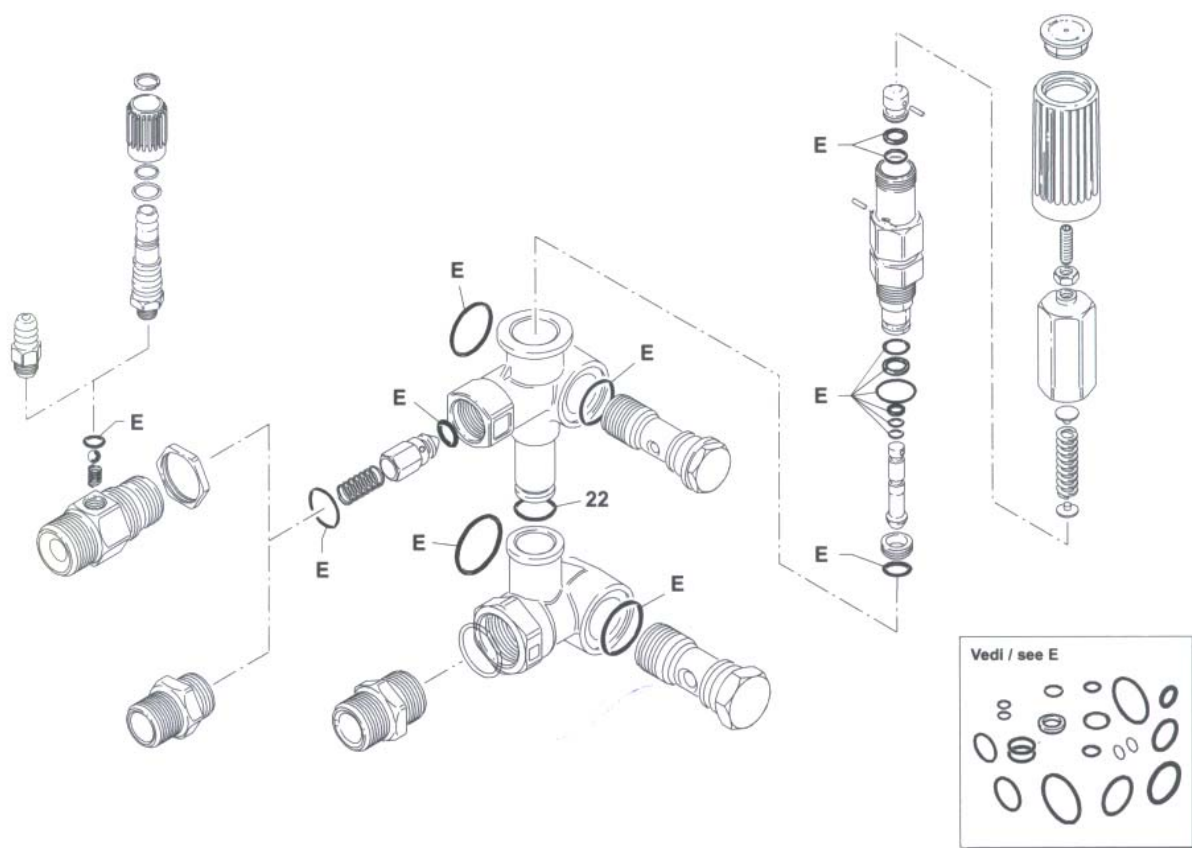
ARKIT1874	
Water Seals	
11	3
12	3
14	3
15	3

MINIMATIC 4/B



UN000186-HF

KIT RICAMBI / PART KITS



UN000187-HF

MINIMATIC 4/B



Pos.	Cod. Part n°	Denominazione	Description	Q.tà Q.ty	Note Vedi / See	Pos.	Cod. Part n°	Denominazione	Description	Q.tà Q.ty	Note Vedi / See
1	1981780	Manopola	Handle	1		40	1540180	Niples 3/8" G	Adaptor 3/8" G	1	●
2	1540560	Grano M6x20	Grub	1			1540500	Niples 3/8" NPT	Adaptor 3/8" NPT	1	●
3	1980300	Dado M6	Nut	1		41	1540280	Corpo by-pass	By-pass housing	1	3/8" G
4	1980390	Inserto manopola	Knob insert	1			1540480	Corpo by-pass	By-pass housing	1	3/8" NPT
5	1980220	Piattello molla	Spring plate	2		42	1540630	OR Ø 23,47x2,62	O-Ring	1	
6	1271070	Molla	Spring	1		44	880270	OR Ø 17,17x1,78	O-Ring	1	
7	1080041	Pistone superiore	Upper piston	1		45	1540260	Vite 1/2" G	Thread screw	1	
8	1080070	Spina	Pin	2		46	480440	OR Ø 17,13x2,62	O-Ring	1	Optional
9	1080401	Anello antiest.	Back-up ring	1		47	1540050	Raccordo	Fitting	1	Optional
10	1080250	OR Ø 7,66x1,78	O-Ring	1		49	1981770	Tappo manopola	Knob plug	1	
12	1980210	Guida pistone	Piston Guide	1							
13	740290	OR Ø 14x1,78	O-Ring	1							
14	800560	OR Ø 8,73x1,78	O-Ring	1							
15	880830	OR Ø 15,54x2,62	O-Ring	1							
16	1271170	Anello antiest.	Back-up ring	1							
17	1080190	OR Ø 2,90x1,78	O-Ring	2							
18	1271160	Pistone inferiore	Lower piston	1							
19	1980200	Sede valvola	Valve seat	1							
20	1470210	OR Ø 9x1	O-Ring	1							
21	1540270	Vite 3/8" G	Thread screw	1	Ottone/Brass						
	1540430	Vite 3/8" G Inox	Thread screw	1	Inox/Steel						
22	390080	OR Ø 11,91x2,62	O-Ring	2							
23	1540510	Corpo valvola	Valve housing	1							
24	1140450	OR Ø 20,24x2,62	O-Ring	1							
25	1460430	OR Ø 4x2,5	O-Ring	1							
26	1540170	Otturatore	Jet	1							
27	1080091	Molla	Spring	1							
28	394280	OR Ø 12,42x1,78	O-Ring	1							
29	1560660	Anello	Ring	1	▲						
30	1560680	Manopola reg.det.	Detergent reg. knob	1	▲						
31	480560	OR Ø 6,75x1,78	O-Ring	1	▲						
32	800560	OR Ø 8,73x1,78	O-Ring	1	▲						
33	1560650	Portagomma	Hose tail	1	▲						
34	1560490	Portagomma	Hose tail	1	■						
35	480480	OR Ø 4,48x1,78	O-Ring	1	■▲						
36	1250280	Sfera	Ball	1	■▲						
37	1560520	Molla	Spring	1	■▲						
38	1540570	Raccordo 3/8" G	Fitting 3/8" G	1	Ø 2 ■▲						
	1540580	Raccordo 3/8" G	Fitting 3/8" G	1	Ø 2,3 ■▲						
	1540610	Raccordo 3/8" NPT	Fitting 3/8" NPT	1	Ø 2 ■▲						
	1540620	Raccordo 3/8" NPT	Fitting 3/8" NPT	1	Ø 2,3 ■▲						
39	1540300	Controdado	Nut	1	■▲						

KIT RICAMBI PART KITS

E=KIT 2812
OR
O-Rings

pos.	Q.ty	pos.	Q.ty	pos.	Q.ty	pos.	Q.ty
9	1	17	2	35	1		
10	1	20	1	42	1		
13	1	22	2	44	1		
14	1	24	1				
15	1	25	1				
16	1	28	1				

pos.	Q.ty	pos.	Q.ty	pos.	Q.ty	pos.	Q.ty

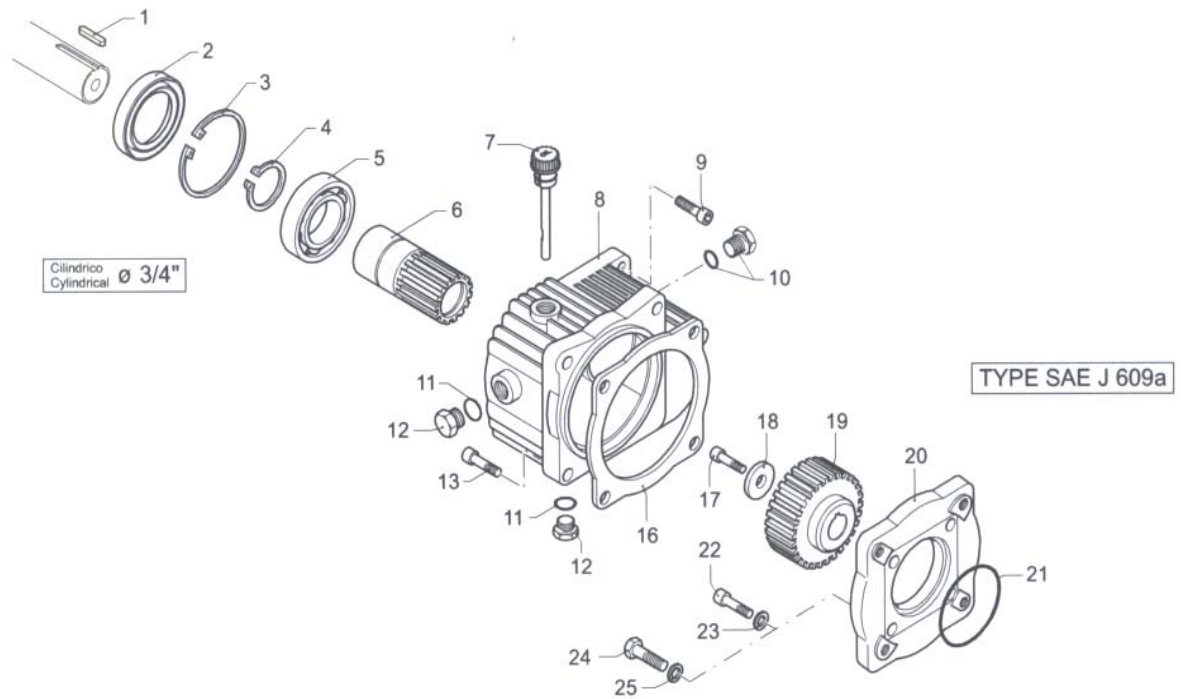
LEGENDA :

● Per / For
MINIMATIC 4/B

■ Per / For
MINIMATIC 4/B+ID

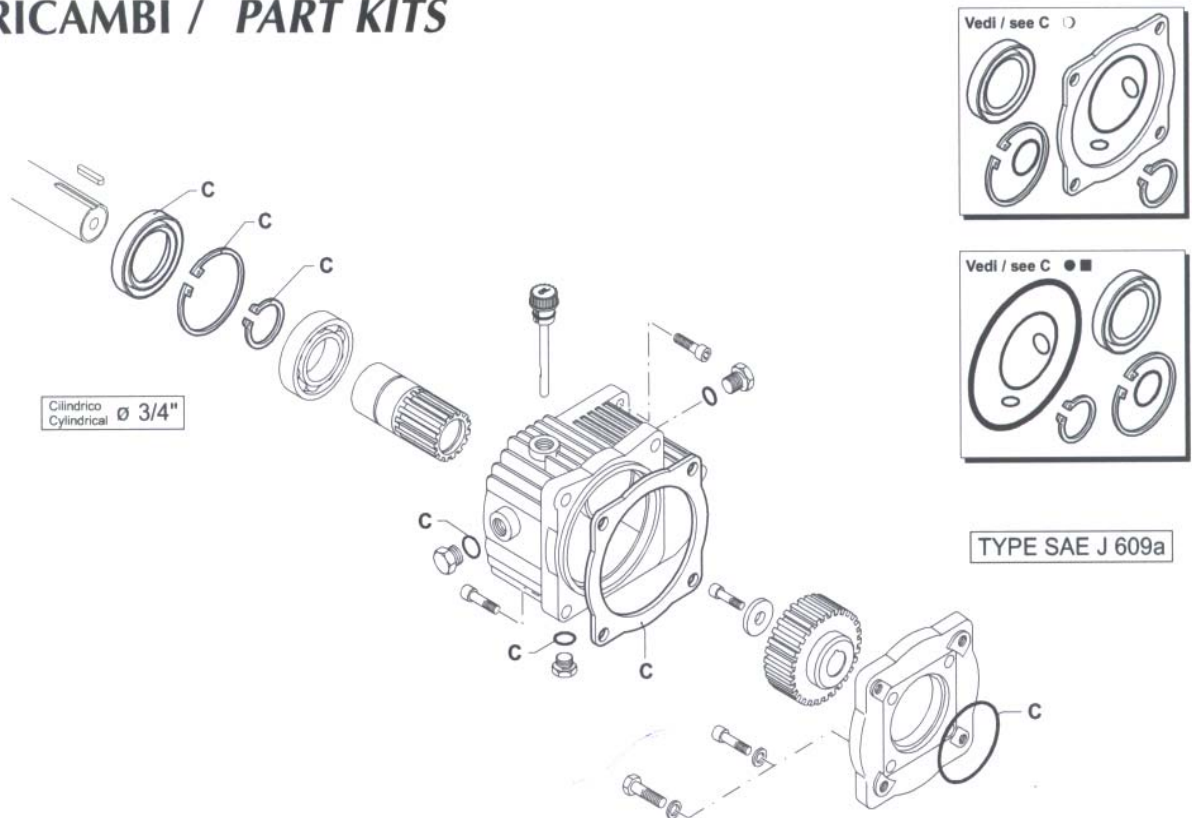
▲ Per / For
MINIMATIC 4/B+IDR

CR RIDUTTORE - GEAR BOX



UN000228-HF

KIT RICAMBI / PART KITS



UN000229-HF

Gearbox for Hurricane P2 ARCRXT

CR RIDUTTORE - GEAR BOX



Pos.	Cod. Part n°	Denominazione	Description	Q.tà Q.ty	Note Vedi / See	Pos.	Cod. Part n°	Denominazione	Description	Q.tà Q.ty	Note Vedi / See
1	881090	Linguetta	Key	1							
2	961800	Anello tenuta	Seal	1							
3	961790	Seeger Øi 68	Circlip	1							
4	320240	Seeger Øe 40	Circlip	1							
5	961781	Cuscinetto	Bearing	1							
6	1322920	Pignone Ø 3/4"	Pinion	1	Z=23 ● ○						
	1322930	Pignone Ø 3/4"	Pinion	1	Z=21 ■						
7	1140370	Tappo olio + OR	Oil plug + O-ring	1							
8	1320910	Scatola riduttore	Gear box	1							
9	651000	Vite TCEI 5/16"	Screw	4							
10	1980290	Tappo 3/8"	Plug	1							
11	740290	OR Ø 14x1,78	O-Ring	2							
12	1980740	Tappo 3/8"G	Plug	2	Ottone/Brass						
13	160671	Vite TCEI M 10x25	Screw	4							
16	1320990	Guarnizione scatola	Gasket	1	○						
	1520590	OR Ø 107,67x1,78	O-Ring	1	● ■						
17	880280	Vite TCEI M 6x18	Screw	1							
18	780230	Rondella Tenuta	Washer	1							
19	1322940	Ruota dentata	Gear	1	Z=45 ○						
	1321230	Ruota dentata	Gear	1	Z=45 ●						
20	1320960	Ruota dentata	Gear	1	Z=47 ■						
	1320920	Flangia riduttore	Flange	1	○						
21	1320930	Flangia riduttore	Flange	1	● ■						
	650920	OR Ø 53,65x2,62	O-Ring	1	○						
22	640030	OR Ø 60x2,62	O-Ring	1	● ■						
	780330	Vite TCEI M 6x20	Screw	4	○						
23	1341020	Rondella 6x10x1	Washer	4	○						
	180430	Vite TE M 8x20	Screw	4	● ■ XM-XMA						
24	390450	Vite TE M 8x30	Screw	4	● ■ XRC-XRCA						
	1260100	Rondella 8x13x0,50	Washer	4	● ■						

KIT RICAMBI PART KITS

LEGENDA :

C=KIT 2793 ○ tenute olio oil seals		C=KIT 2525 ● ■ tenute olio oil seals					
pos.	Q.ty	pos.	Q.ty	pos.	Q.ty	pos.	Q.ty
2	1	2	1				
3	1	3	1				
4	1	4	1				
11	2	11	2				
16	1	16	1				
21	1	21	1				

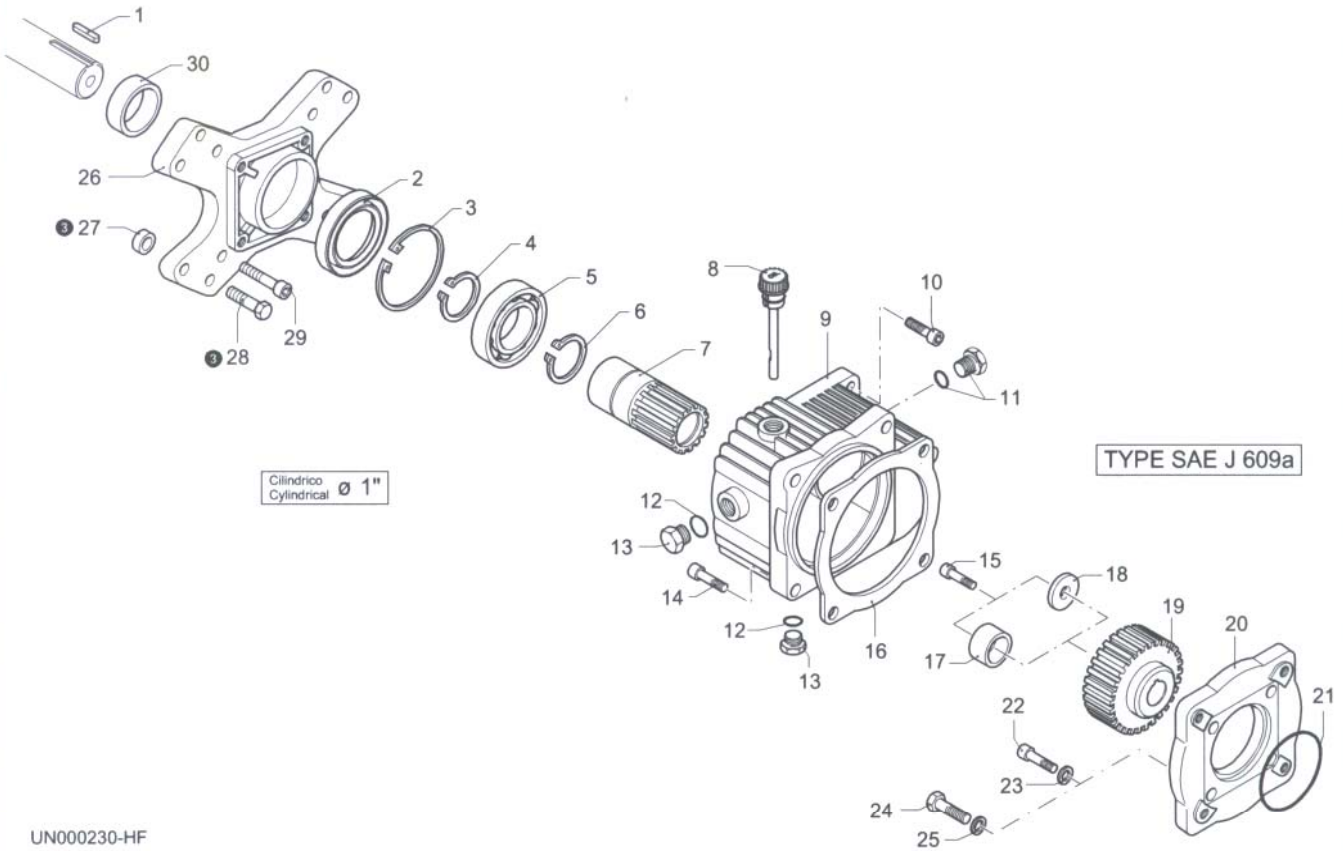
○ Per / For
COD. 1694
1:2
XT/XTA series

● Per / For
COD. 1692
1:2
XM/XMA series
XRC/XRCA series

■ Per / For
COD. 1691
1:2
XM series
XRC series

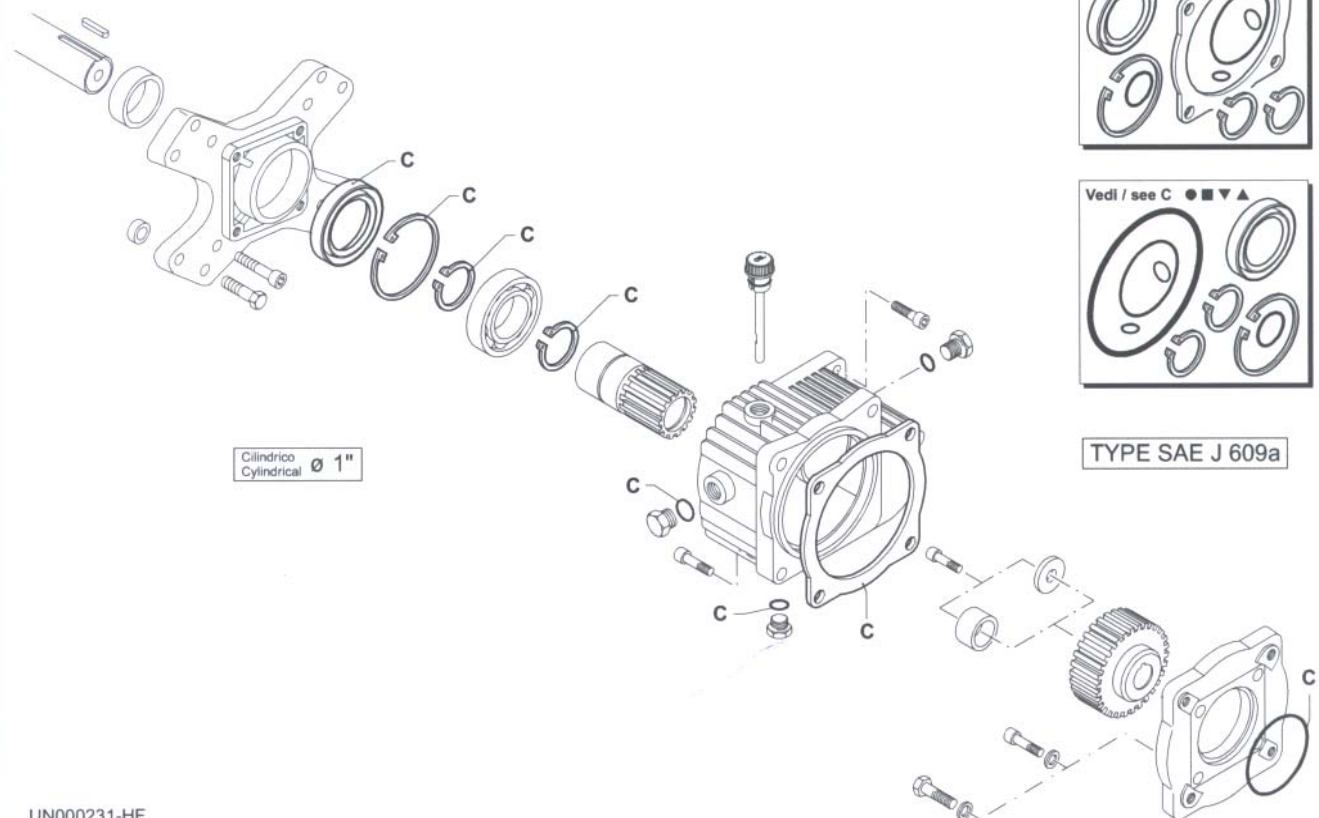
pos.	Q.ty	pos.	Q.ty	pos.	Q.ty	pos.	Q.ty

CR RIDUTTORE - GEAR BOX



UN000230-HF

KIT RICAMBI / PART KITS



UN000231-HF

CR RIDUTTORE - GEAR BOX



Pos.	Cod. Part n°	Denominazione	Description	Q.tà Q.ty	Note Vedi / See	Pos.	Cod. Part n°	Denominazione	Description	Q.tà Q.ty	Note Vedi / See
1	1382510	Chiavetta (8 HP)	Key	1	○ ● ■ ▼ ▲						
	881090	Linguetta (9-18 HP)	Key	1	● ■ ▼ ▲						
2	961800	Anello tenuta	Seal	1							
3	961790	Seeger Ø1 68	Circlip	1							
4	320240	Seeger Øe 40	Circlip	1							
5	961781	Cuscinetto	Bearing	1							
6	320240	Seeger Øe 40	Circlip	1	■ ▲						
7	1382420	Pignone Ø 1" Z=23	Pinion	1	○ ● ▼						
	1382430	Pignone Ø 1" Z=21	Pinion	1	■ ▲						
8	1140370	Tappo olio + OR	Oil plug + O-ring	1							
9	1320910	Scatola riduttore	Gear box	1							
10	881940	Vite TCEI M 8x25	Screw	4							
11	1980290	Tappo 3/8"	Plug	1							
12	740290	OR Ø 14x1,78	O-Ring	2							
13	1980740	Tappo 3/8"G	Plug	2		Ottone/Brass					
14	160671	Vite TCEI M 10x25	Screw	4							
15	880280	Vite TCEI M 6x18	Screw	1							
16	1320990	Guarnizione scatola	Gasket	1	○						
	1520590	OR Ø 107,67x1,78	O-Ring	1	● ■ ▼ ▲						
17	1940500	Distanziale	Spacer	1	▼ ▲						
18	780230	Rondella Tenuta	Washer	1	○ ● ■						
19	1322940	Ruota dentata Z=45	Gear	1	○						
	1321230	Ruota dentata Z=45	Gear	1	● ▼						
	1320960	Ruota dentata Z=47	Gear	1	■ ▲						
20	1320920	Flangia riduttore	Flange	1	○						
	1320930	Flangia riduttore	Flange	1	● ■ ▼ ▲						
21	650920	OR Ø 53,65x2,62	O-Ring	1	○						
	640030	OR Ø 60x2,62	O-Ring	1	● ■ ▼ ▲						
22	780330	Vite TCEI M 6x20	Screw	4	○						
23	1341020	Rondella 6x10x1	Washer	4	○						
24	180430	Vite TE M 8x20	Screw	4	● ■ (XM)						
	390450	Vite TE M 8x30	Screw	4	● ■ ▼ ▲						
25	1260100	Rondella 8x13x0,50	Washer	4	● ■ ▼ ▲						
26	1320940	Flangia motore	Motor flange	1							
27	961770	Distanziale	Spacer	4	⊕						
28	961900	Vite TE 3/8"	Screw	4	⊕						
29	651000	Vite TCEI 5/16"	Screw	4							
30	1382540	Distanziale	Spacer	1	● ■ ▼ ▲						

⊕ Per motori italiani / Italian engines only

KIT RICAMBI PART KITS

C=KIT 2793 ○ tenute olio oil seals				C=KIT 2525 ●■▼▲ tenute olio oil seals			
pos.	Q.ty	pos.	Q.ty	pos.	Q.ty	pos.	Q.ty
		21	1	2	1	21	1
2	1			3	1		
3	1			4	1		
4	1			6	1		
6	1			12	2		
12	2			16	1		
16	1						

pos.	Q.ty	pos.	Q.ty	pos.	Q.ty	pos.	Q.ty

LEGENDA :

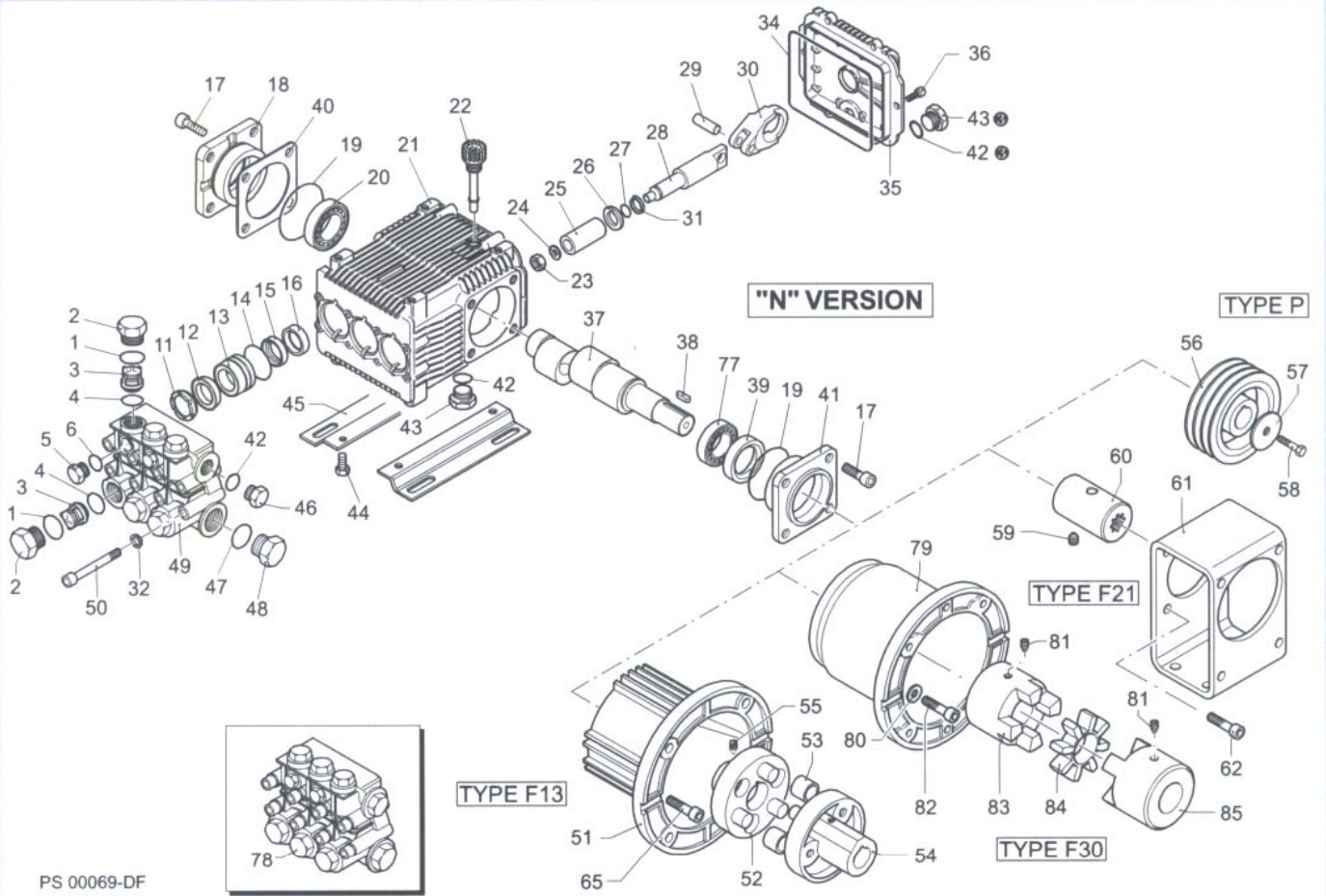
- Per / For cod. 1690
1:2
XM/XMA series
XRC/XRCAseries
- Per / For cod. 1689
1:2,24
XM series
XRC series
- ▼ Per / For cod. 1697
1:2
XW/XWA series
- ▲ Per / For cod. 1698
1:2,24
XW series
- Per / For cod. 1693
1:2,24
XT/XTA series

RK

VERSION

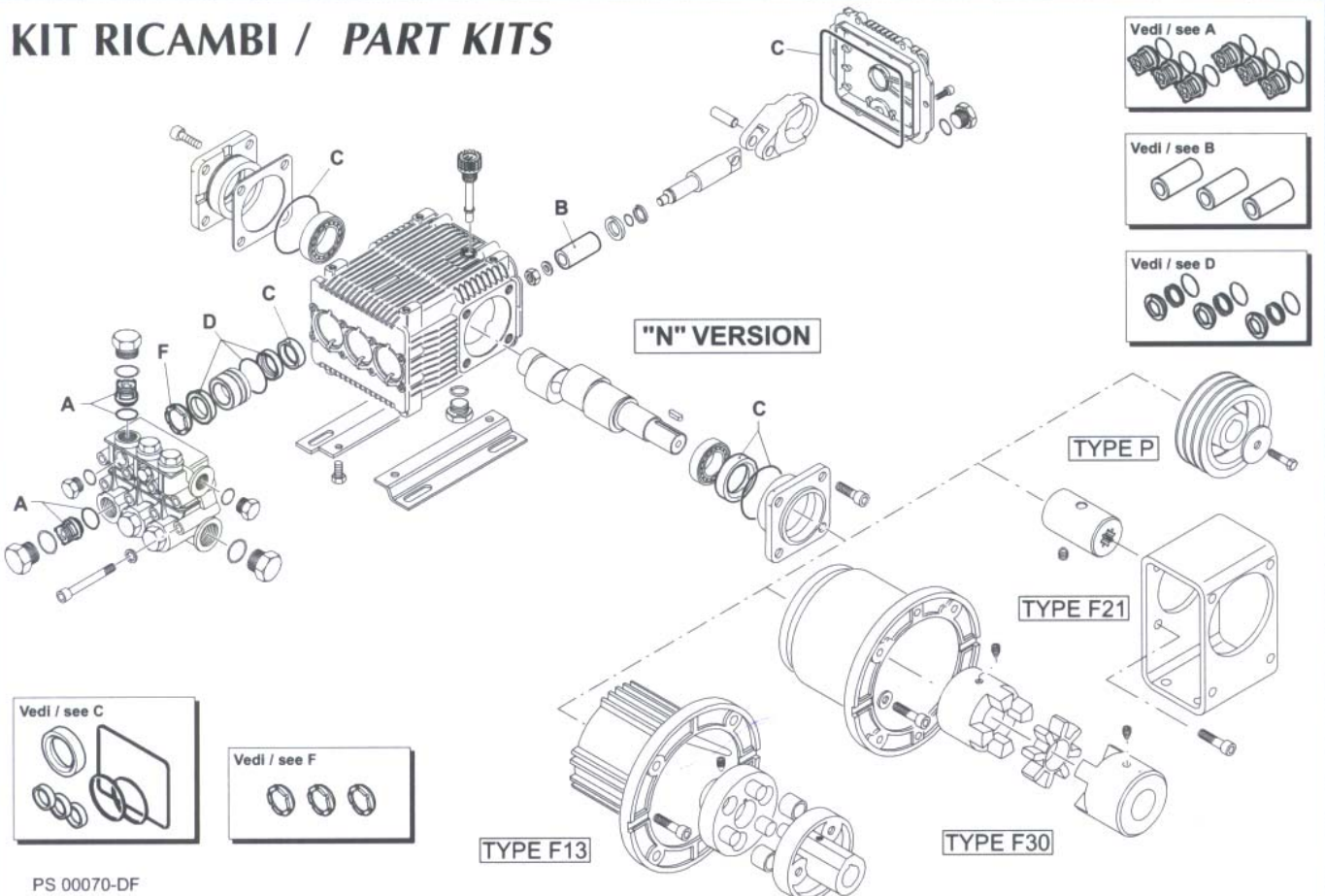
N

1450 RPM



PS 00069-DF

KIT RICAMBI / PART KITS



PS 00070-DF

RK MODEL: 15.20H Hurricane P4 & D1ES

Pos	Part No	Description	Qty	Pos	Part No	Description	Qty
1	AR960160	O Ring	6	36	AR1343510	Screw	6
2	AR960090	Plug	6	40	AR1380120	0.10mm shim	1÷3
2	AR1380740	Plug	6	40	AR1380130	0.20mm shim	1÷3
3	AR1389051	Complete Valve	6	40	AR1380530	0.25mm shim	1÷3
4	AR880830	O Ring	6	40	AR1382810	0.05mm shim	1÷3
5	AR880581	Plug	2	42	AR740290	O ring	3
6	AR820510	O Ring	2	43	AR1980740	³ / ₈ G plug	2
11	AR960110	Support Ring	3	44	AR1260470	Screw	4
12	AR880320	Gasket	3	45	AR1380141	Base	2
13	AR1380090	Piston Guide	3	46	AR1980740	³ / ₈ G Plug	1
14	AR961240	O Ring	3	46	AR1981180	³ / ₈ G Plug	1
15	AR880330	Gasket	3	47	AR180101	O Ring	1
16	AR138130	Seal	3	48	AR820361	Plug	1
17	AR850370	Screw	8	48	AR960870	Plug	1
18	AR1380050	Closed Bearing sup	1	49	AR1381071	Pump head	1
19	AR640030	O Ring	1	50	AR820150	Screw	8
20	AR2280240	Bearing	1	60	AR1380320	Bearing	1
21	AR1382770	Pump Housing	1	61	AR621170	Seal	1
22	AR880130	Oil Cap	1	62	AR1380220	O Ring	1
23	AR962010	Nut	3	63	AR1380210	Shaft cover	1
24	AR962000	Washer	3	66	AR2280180	Hollow Shaft 28mm	1
25	ARKIT2757	Ceramic Piston	3	66	AR2280170	Hollow Shaft 028mm	1
26	AR1380950	Spacer	3	66	AR2280160	Hollow Shaft 028mm	1
27	AR600180	O ring	3	66	AR2280150	Hollow Shaft 028mm	1
28	AR1380920	Guiding Piston	3	67	AR1380370	El Motor flange	1
29	AR1380060	Piston Pin	3	76	AR620610	Screw	4
30	AR1383050	Aluminium con-rod	3	86	AR1260250	Oil Indicator	1
31	AR1080401	Ring	3	87	AR1260430	Snap Ring	1
32	AR1381850	Washer	8	88	AR1780690	Disc	1
34	AR1780510	O Ring	1	89	AR1140450	O Ring	1
35	AR1789010	Complete cover	1				

Valve Kit		Piston Kit		Oil Seal Kit	
ARKIT1828		ARKIT2757		ARKIT1856	
Pos	Qty	Pos	Qty	Pos	Qty
3	6	25	3	16	3
4	6			19	1
				34	1
				61	1
				62	1

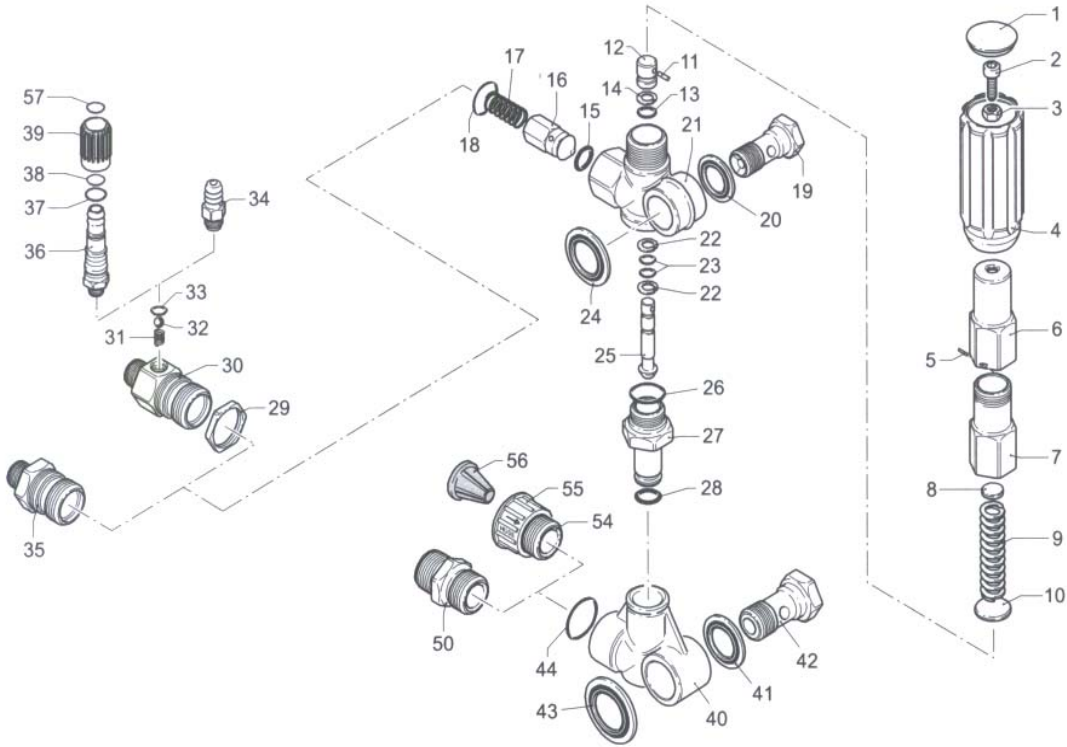
Water Seal		Support Ring	
ARKIT1857		ARKIT1829	
Pos	Qty	Pos	Qty
12	3	11	3
14	3		
15	3		

RK MODEL: 21.15H Hurricane P5 Combi							
Pos	Part No	Description	Qty	Pos	Part No	Description	Qty
1	AR960160	O Ring	6	36	AR1343510	Screw	6
2	AR1380740	Plug	6	37	AR2280070	Shaft	1
2	AR1380740	Plug	6	38	AR1380520	Key	1
3	AR1389051	Complete Valve	6	39	AR180340	Ring	1
4	AR880830	O Ring	6	40	AR1380130	0.19mm shim	1÷3
5	AR1380690	Plug	2	41	AR1380040	Support	1
6	AR820510	O Ring	2	42	AR740290	O Ring	3
11	AR840320	Support Ring	3	43	AR1980740	Plug	2
12	AR840330	Water Seal	3	44	AR1263130	Screw	4
13	AR1380160	Piston Guide	3	45	AR1380141	Foot	2
14	AR961240	O Ring	3	46	AR1981180	3/8 G Plug	1
15	AR840340	Water Seal	3	47	AR180101	O Ring	1
16	AR138130	Seal	3	48	AR960870	Plug	1
17	AR850370	Screw	8	49	AR1380680	Head	1
18	AR1380050	Closed Bearing sup	1	50	AR820150	Screw	8
19	AR640030	O Ring	1	77	AR1383140	Bearing	1
20	AR2280340	Bearing	1	78	AR1389220	Head Assembly	1
21	AR1382770	Pump Housing	1	86	AR1260250	Level Gauge	1
22	AR880130	Oil Cap	1	87	AR1260430	Ring	1
23	AR962010	Nut	3	88	AR1780690	Plate	1
24	AR962000	Washer	3	89	AR1140450	O Ring	1
25	ARKIT2759	Ceramic Piston	3				
26	AR1380950	Spacer	3				
27	AR600180	O ring	3				
28	AR1380920	Guiding Piston	3				
29	AR1380060	Piston Pin	3				
30	AR1383050	Aluminium con-rod	3				
31	AR1080401	Ring	3				
32	AR1381850	Washer	8				
34	AR1780510	O Ring	1				
35	AR1789010	Complete cover	1				

Valve Kit		Piston Kit		Oil Seal Kit	
ARKIT2864		ARKIT2759		ARKIT1855	
Pos	Qty	Pos	Qty	Pos	Qty
3	6	25	3	16	3
4	6			19	1
				34	1
				39	1

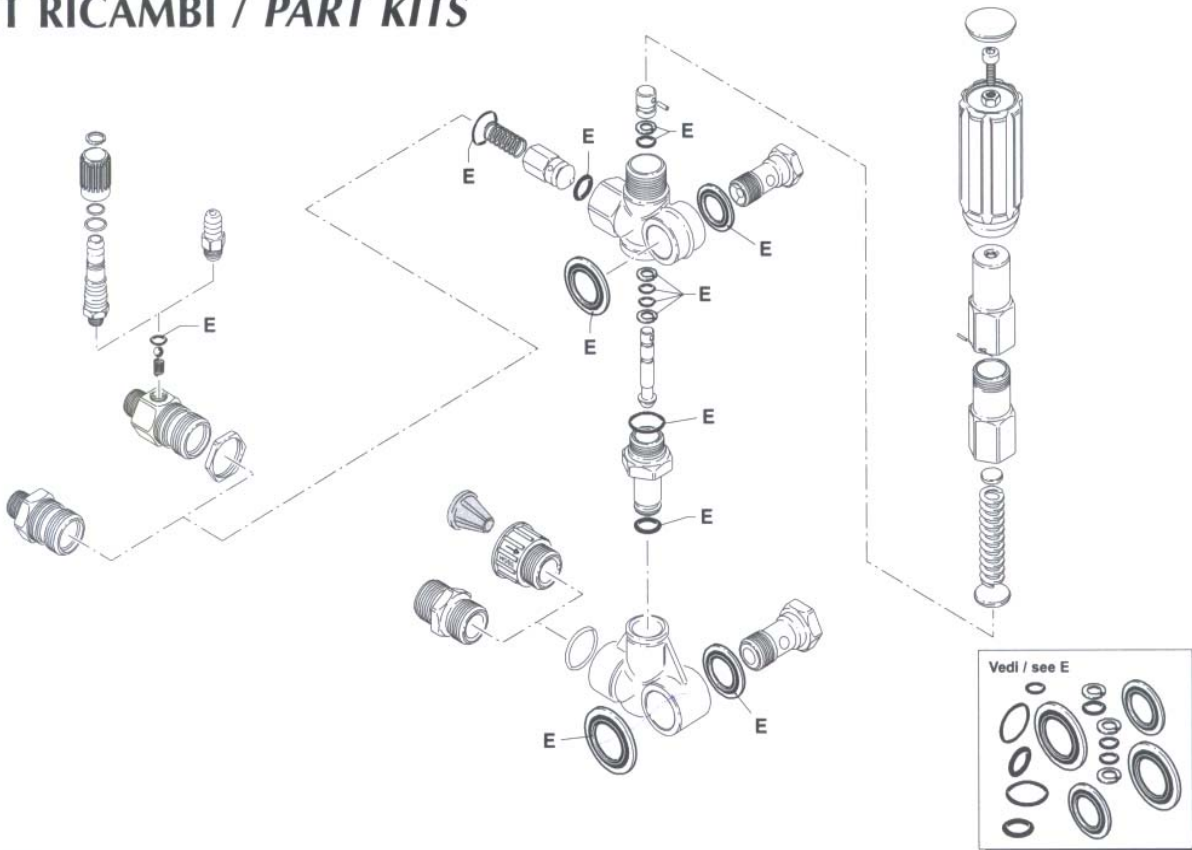
Water Seal		Support Ring	
ARKIT1888		ARKIT1816	
Pos	Qty	Pos	Qty
12	3	11	3
14	3		
15	3		

GYMATIC 3/B



UN000190-HF

KIT RICAMBI / PART KITS



UN000191-HF

GYMATIC 3/B							
Pos	Part No	Description	Qty	Pos	Part No	Description	Qty1
1	AR1560580	Knob Plug	1	39	AR1560670	Detergent Reg Knob	1
2	AR180030	Screw	1	40	AR1540020	By-pass housing	1
3	AR1660210	Nut	1	41	AR154120	Washer	1
4	AR1560400	Handle	1	42	AR1540090	Banjo Bolt1/2" G	1
5	AR1080070	Pin	1	42	AR1540200	Banjo Bolt 1/2" NPT	1
6	AR1560420	Adjusting Screw	1	43	AR1560290	Washer	1
7	AR1560410	Spring Guide	1	44	AR480440	O Ring	1
8	AR1560440	Plate	1	50	AR1540050	Fitting 1/2" G	1
9	AR1560350	Spring	1	54	AR1560310	Fitting	1
10	AR108610	Spring Plate	1	55	AR1560300	Ring Nut	1
11	AR1080660	Pin	1	56	AR1266330	Filter	1
12	AR1080540	Upper Piston	1	57	AR1560660	Ring	1
13	AR391000	O Ring	1				
14	AR108640	Back up Ring	1				
15	AR1560150	O Ring	1				
16	AR1560100	Jet	1				
17	AR1560140	Spring	1				
18	AR180101	O Ring	1				
19	AR1540080	Banjo bolt 3/8"G	1				
19	AR1540190	Banjo Bolt3/8" NPT	1				
20	AR1540110	Washer	1				
21	AR1560010	Valve Housing	1				
22	AR1080550	Back Up ring	2				
23	AR480480	O Ring	2				
24	AR1560280	Washer	1				
25	AR1560320	Lower piston	1				
26	AR880270	O Ring	1				
27	AR1560051	By pass adaptor	1				
28	AR390080	O Ring	1				
29	AR1560510	Nut	1				
30	AR1560500	Fitting 3/8" G	1				
30	AR1560530	Fitting 3/8"G	1				
30	AR1560540	Fitting 3/8"G	1				
31	AR1560520	Spring	1				
32	AR1250280	Ball	1				
33	AR480480	O Ring	1				
34	AR1560490	Hose Tail	1				
35	AR1560110	Adaptor 3/8"G	1				
35	AR1560111	Adaptor 3/8"G	1				
36	AR1560650	Hose Tail	1				
37	AR800560	O Ring	1				
38	AR480560	O Ring	1				

ARKIT2611					
Pos	Qty	Pos	Qty	Pos	Qty
13	1	23	2	43	1
14	1	24	1		
15	1	26	1		
18	1	28	1		
20	1	33	1		
22	2	41	1		

Hurricane Range Inlet Fittings



Position	Part No	Description	Qty
1	DEM10041	100 Mesh Suction Filter	
2	MTM86010	Chemical Filter	
3	MTM73001	QR Nipple Female	
4	MTM73020	QR Nipple Male	
5	HH0053	Yellow Hose	
6	DEM20500	Jubilee Clip	
7	DEM10042 INC (1-4-5-6)	Suction filter with Hose and fittings	
8	DEM10115	Detergent Pipe (Chemical Pipe)	

EC DECLARATION OF CONFORMITY

We **Demon International Ltd**
Of **Abbots Close, Lee Mill Industrial Estate, Ivybridge, Devon PL21 9GA**

Declare that:

Equipment : **High pressure water Jet Machines**

Model name/number:

Serial number

Conforms to the relevant safety and health related requirements of the appropriate EC Directives. This declaration shall cease to be valid if modifications are made to the machine without our approval.

In accordance with the following EU Directives:

73/23/EEC **The Low Voltage Directive** – and its amending directives
89/336/EEC **The Electromagnetic Compatibility Directive** – and its amending directives
98/37/EEC **The Machinery Directive** – and its amending directives
2000/14/EC **Noise Directive**

Harmonised Standards Applied:

EN 292-1 & EN292-2 (now ISO:12100), EN 60335-2-79, EN55014-1, EN55014-2, EN 61000-3-2

Applied national standards and technical specifications:

DS EN 60335-2-79

Applied conformity evaluation method

Appendix V

Sound power level dB(A):

	Hurricane P1	Hurricane P2/ Combi	Hurricane P4/ Combi	Hurricane D1 & P5
Measured	83	83	83	88
Guaranteed	84	84	84	89

HAV – All triggers and lances have vibration levels below 2.5 m/s/s²

I hereby declare that the equipment named above has been designed to comply with the relevant sections of the above referenced specifications. The unit complies with all essential requirements of the Directives.

Signed:  **Martyn Walke** Authority: **Technical Director** Date:

Technical Documentation Address: Abbots Close, Lee Mill Industrial Estate, Ivybridge, Devon PL21 9GA