

Additional User Notes

9. Push unit into position with folding frame A facing work. Rest on a firm and level base; beware of any overhead hazards near where you are going to work.
10. When standing on work platform swing guardrail gate F into position and lock behind you.
11. To move unit unlock gate and dismount, unlock castors and repeat procedures 6 & 7.
12. Safe working load on work platform is 150kg, or one man plus hand tools.
13. Do not over-reach when working on platform, and limit horizontal force to 10kg (22lb). Work only at a comfortable arms length.
14. Do not, under any circumstances, move unit with anyone on it.
15. Never put anything on the platforms to gain extra height, stand on the work platform only.
16. Never use damaged or incompatible equipment.
17. If in doubt about any application do not guess, consult your supplier.
18. See opposite for checklist.

Special Note

There may sometimes be a requirement for stabilisers to be fitted. If so, fit on to back verticals to be in line with folding back frame.

Assembly Checklist

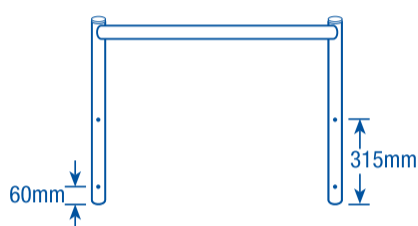
Inspection to be carried out prior to every use. Detailed inspection to be carried out depending on the frequency of use.

1. Check castors are firmly fixed and locking mechanisms are functioning correctly. If not, adjust to suit.
2. Check step hook clips engage correctly.
3. Decking should be checked for damage and free of any material likely to cause slipping e.g. oil etc.
4. Check knuckle hinges are secure and operate correctly.
5. Check knuckle joint locking pin is attached.
6. Check all welds are free from cracks or damage.
7. Check all tubes are free from dents or damage.
8. Check that erected steps are used on a level surface.
9. Check for correct positioning of platform and extending guardrail.
10. The user must inspect for any signs of wear, decay, dents, cracks, splits or warping. Thorough inspection after adverse weather conditions.

Always refer to this checklist before and after erection of the podium.

If in doubt about any application consult your supplier for advice.

Expansion Pack



In some cases, an expansion pack may be purchased separately to the Podium Step. In this instance, please follow the set instructions below carefully. If in doubt, consult Lyte Industries for advice.

1. Disengage all four spring clips on podium and locate the pre-drilled holes on the Podium frame.

2. Measure where to drill holes on expansion pack by drawing a clear line across each section, with one set of holes 60mm from the bottom of pack (for retracted position) and one set at 315mm from bottom of pack (for extended position), as shown in diagram.

3. Slot the expansion pack into the Podium frame guardrail (G1 & G2 as shown in diagram 4) until the marked lines can be seen through the pre-drilled holes. Drill into the marked lines on expansion pack through the pre-drilled holes on Podium frame.

You may need additional assistance to support the expansion pack while drilling.

4. When finished drilling, re-engage spring clips according to the height you require. i.e. position at either 60mm or 315mm.

The expansion pack is now ready to use.

Lyte Podium Steps

4313-PODIUM/0308

Assembly Instructions for Lyte Podium Steps

Are you qualified to work at height?

Here at Lyte we have strengthened our commitment to our customers even further with the introduction of access industry training courses.

We now offer the nationally recognised PASMA and The Ladder Association courses to all our customers.

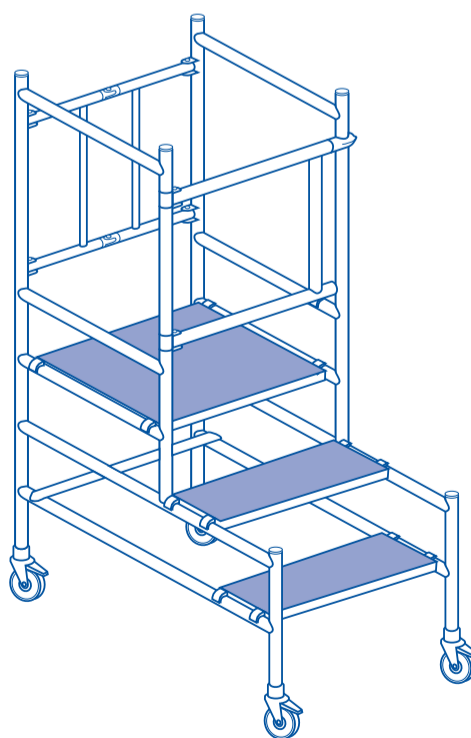
The Work at Height Regulations 2005 require that work at height is undertaken by a competent person, or if being trained, under the supervision of a competent person.

PASMA and The Ladder Association therefore sponsor training courses provided only by authorised training members. Lyte is proud to be one of these members.

The training courses are based on a format and content agreed by all PASMA and The Ladder Association members and draws upon their collective, first-hand experience. Widely recognised and recommended by safety professionals, it provides successful delegates who pass a written and practical test with a competency certificate and an encapsulated, credit card-sized Photo card.

For more information or to book a training course please contact the Lyte Training Co-ordinator on 01639 846800.

Please remember - A thorough risk assessment must be carried out prior to any work being carried out at height.



LADDERS • TOWERS

Lyte Industries Wind Rd, Ystradgynlais,
Powys, UK SA9 1AF

Telephone: 01639 846800 Sales Fax: 01639 841541

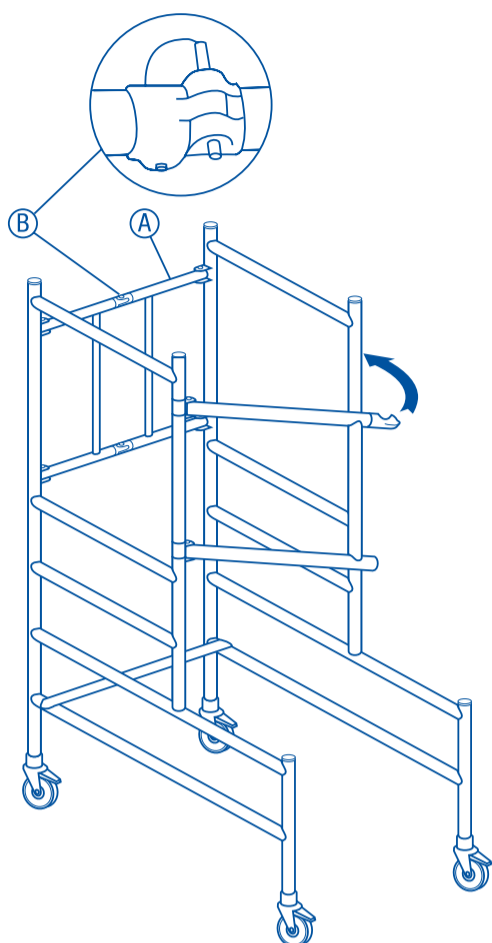
Email: sales@lyteladders.co.uk

www.lyteladders.co.uk



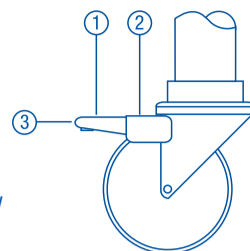
LADDERS • TOWERS

1



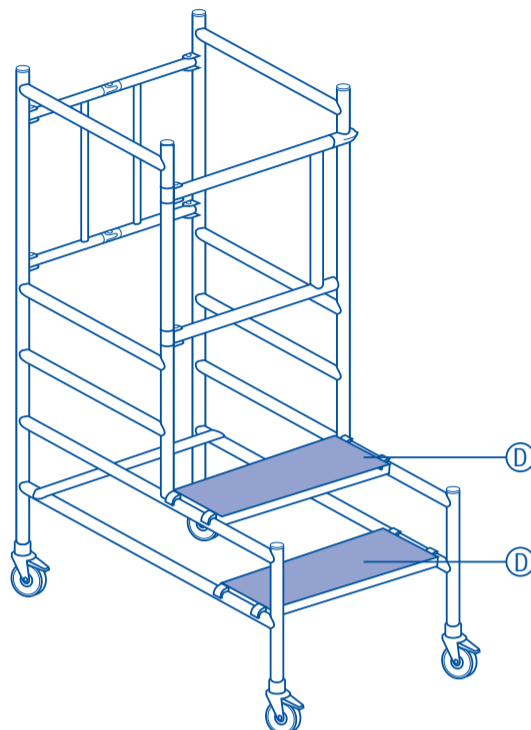
1. Open steps until folding frame A mechanisms lock at B. Secure knuckle joint with pin B.
2. Fit horizontal brace to bottom rung of the back of the step for extra stability.

2



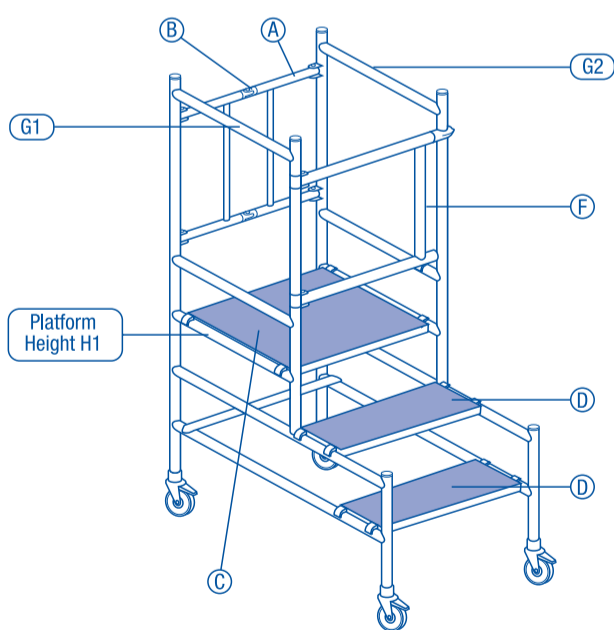
- To lock castors press lever 1
 To unlock castors press lever 2 only
 To adjust brake turn bolt head 3

3



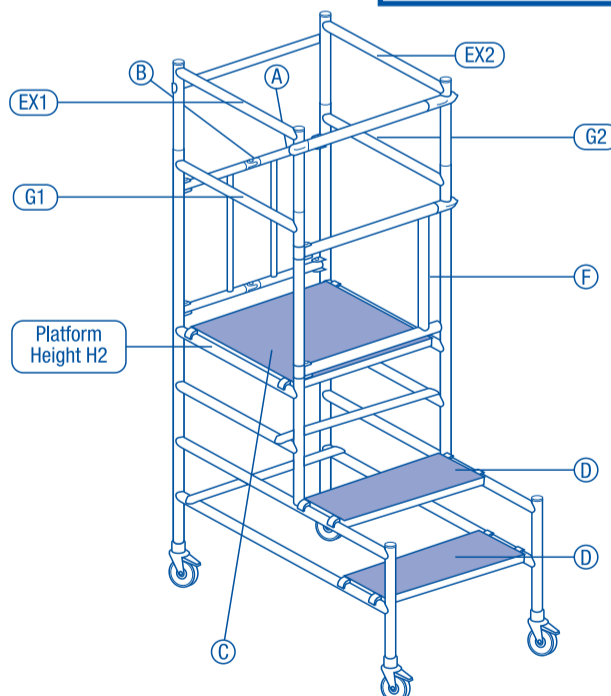
3. Fit small platforms D to form steps up to the top platform. Ensure the locking mechanisms of the hooks have engaged.

4



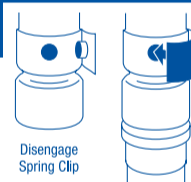
4. Fit work platform C at platform height H1.
5. When working at platform height one (H1), ensure that the guardrail (G1 & G2) is in the retracted position.

5



6. When working at platform height two (H2), the guardrail must be extended using expansion pack (EX1 and EX2).
7. To extend guardrail, ensure all four spring clips are disengaged from frame section (see fig 6).
 - Raise handrail until locating hole becomes visible - re-engage spring clips.
 - Fit additional braces horizontally from frame G1 to G2 at front and rear of work platform, to provide an all round lockable guardrail system.
8. Fit additional horizontal brace between the upper step and platform

6



Disengage Spring Clip