

Earlex® **STEAM MASTER**®

OPERATING INSTRUCTIONS

Models LMB230V/LMB110V



PLEASE READ THESE INSTRUCTIONS CAREFULLY BEFORE USE

Thank you for purchasing an Earlex Steam Wallpaper Stripper.
In order to obtain the best results please read the instructions *before* commencing any work. Please also make a special note of the safety rules.
EARLEX LIMITED WILL ACCEPT NO RESPONSIBILITY FOR THE USE OF THIS PRODUCT IF USED FOR ANY OTHER PURPOSES THAN THOSE DETAILED HEREIN.

RETAIN FOR FUTURE REFERENCE

U.K. Patent No.2,263,996. USA Patent No.5,542,021.

Safety Rules

- Keep away from children and animals.
- Do not pull by the mains lead or the steam hose.
- Be careful of overhead dripping, when using on overhead areas tilt the steam plate away from the face and body, and regularly empty the steamplate of any collected condensation.
- Do not leave unattended.
- Do not point the steam plate at anyone.
- Do not allow water or steam to enter light switches or sockets.
- Always use and store upright.
- Always visually check that the hose and steam plate inlet are not blocked before attempting to use.
- Do not strain, kink or trap the hose under heavy objects.
- Use only 4lb pressure cap as supplied. It is also a safety valve.
NEVER BLOCK OFF THIS OUTLET.
- NEVER remove the filler cap when unit is boiling - switch off and wait for 5 minutes.
- Before standing on the frame ensure all screws are tight and the frame is undamaged.
- Never use outside when raining.
- Always disconnect power supply when filling the machine or when not in use.
- Do not use any caustic cleaners on the tank.
- Do not allow to boil dry.
- Do not overfill the reservoir. DO NOT USE ADDITIVES.
- Never detach the hose whilst the unit is switched on.
- The tank becomes hot in use. Do not touch. Only move with the carrying frame.
- Steam is produced at 100°C. Wear protective clothing and gloves when operating this stripper.
- When standing on the stripper always remain within the confines of the step and do not over-reach.
- DO NOT USE THIS STRIPPER FOR ANY OTHER PURPOSES THAN DETAILED IN THESE INSTRUCTIONS.
- Under no circumstances should you attempt to repair a unit unless qualified and authorised to do so. Use only genuine Earlex replacement parts.
- Maximum weight for standing on the unit is 127 kg (20 stone) and no more than 1 person at a time.

Main Features

The Earlex SteamMaster® is a professional, fast-action steam wallpaper stripper. It has many added features;

- Each tank is individually pressure tested.
- Storage spools for the hose and the mains lead.
- Neon mains On/Off switch,
- Patented stand to enable user to reach the top of the wall.
- Cooler running steam hose.

Caution!

Check the state of your plaster before starting work.

Steam can loosen weak, porous or poorly bonded plaster - which also loosens readily if cracked, holed or if steam plate is held in one position for too long after the paper is

soaked.

Weak plaster can normally be detected by tapping a few areas of the wall. A hollow sound indicates that you should proceed only with extreme care - stopping immediately if you hear a cracking sound or plaster starts to break loose.

The steam stripper is safe for drywall/plaster board surfaces but whatever the material, it is always wise to check a small area before starting work properly.

Protect your home!

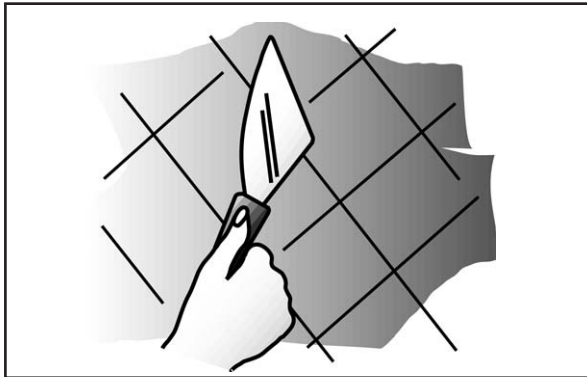
The heat generated by the boiler unit can mark carpets, soft furnishings, table tops, cabinets etc.

Dust sheets or newspapers are not suitable heat protectors for delicate surfaces.

Preparation

To achieve fastest paper removal always gently score the areas to be stripped. With heavily embossed, vinyl coated or painted papers this is essential. Either use a proprietary perforator tool or alternatively score the paper with the edge of a wall scraper in a criss-cross pattern with 150mm (6 inch) spacing.

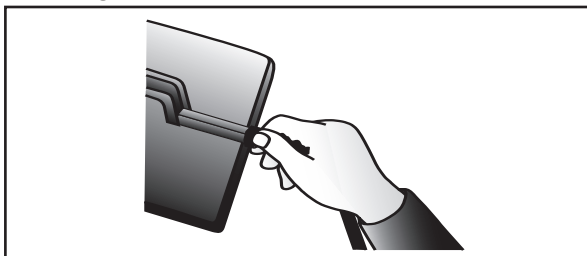
As with all decorating work be sure to protect carpets and furniture with covers.



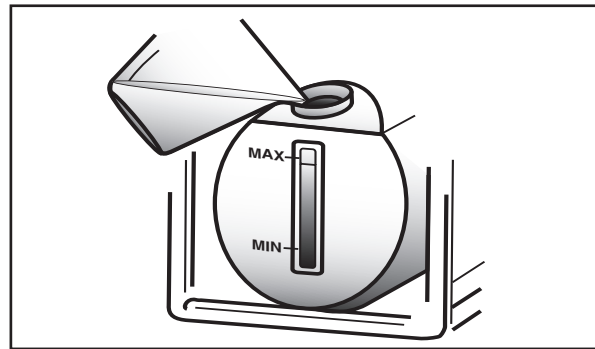
Operation

STEAM IS HOT! The SteamMaster® is designed for safe, fast removal of wallpaper but you must be aware that steam is produced at 100°C so be careful, wear protective clothing and protect your hands with heat resistant gloves or mitts. Place the unit on a flat surface near to the area to be stripped. Remove the steam plate.

FULLY UNCOIL the hose and mains lead. Connect the thread on the steam plate to the end of the hose. This only needs to be hand tight. **DO NOT OVERTIGHTEN.**



If the steam plate is fitted with a metal swivel joint, tighten hose nut to thread using two spanners. The plate can remain permanently attached to the hose thereafter. To fill the unit, remove the filler cap and fill to the maximum water level as shown on the glass panel at the end of the tank. This must be clean water, preferably hot. **DO NOT USE ADDITIVES - DO NOT OVERFILL.** Replace the filler cap, connect the mains



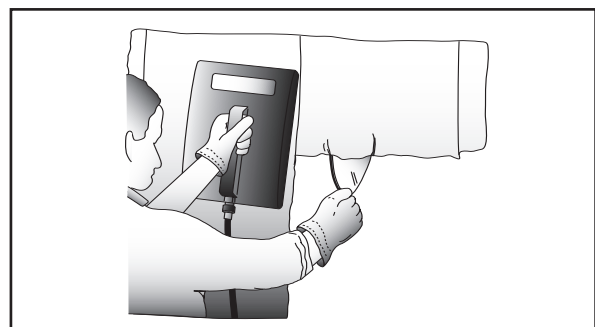
lead from the unit to the socket and switch on. The mains switch on the unit has a neon light and will light when the unit is on. It will take between 10 and 20 minutes for the 230V unit or 25-35 minutes for the 110V unit to start producing steam depending on the temperature of the water used. **DO NOT LEAVE UNATTENDED.**

Once steam is being produced at the steam plate you are ready to commence operation. Prior to the steam being produced a small amount of bubbling will occur at the steam plate. **WARNING:** Beware of hot water discharge prior to steam emission. When the steam has been produced, lift the steam plate above the level of the tank outlet to allow condensed steam to run back down the hose and into the tank.

If you are right handed hold the steam plate in your left hand and place flat against the wall where you wish to commence removing.

Leave the plate against the wall for approximately 10 seconds. If you are left handed you may find it easier to operate with the other hand.

Move the steam plate to the section



immediately next to where you have just been working and use a wallpaper scraper to remove the section that has just been steamed. By working in this way you should be able to remove paper continually. You may have to leave the plate against the wall for longer periods with some papers or re-steam if not completely removed.

The 230V unit will operate for approximately 1 1/2 hrs and the 110V unit will operate for approximately 3 1/4 hrs before requiring refilling. The water level is shown through the glass level indicator and should not be allowed to fall below minimum. Switch the unit off when this level has been reached. If you require further use of the steamer, ensure unit is switched off and has stopped boiling. Wait for 5 minutes. Slowly unscrew the cap, any remaining trapped steam will be released from beneath cap. **Caution - steam is very hot -wear a glove and keep face clear.** Refill to the level indicator as before and follow above instructions.

YOU MUST NEVER ALLOW THE UNIT TO BOIL DRY.

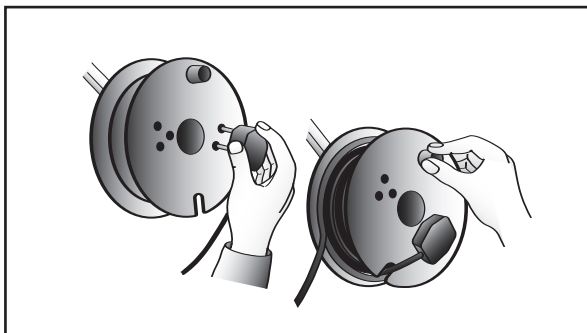
There is a safety thermal cut-out device fitted to the unit. If the unit is allowed to boil dry this will operate and prevent further use. Switch the unit off and allow it to cool for at least 5 minutes, refill with water and then switch on again - the thermal cut-out should automatically re-set. If this has not re-set allow a further cooling period.

When you have finished using the unit allow any remaining water to cool and then empty the unit. We recommend flushing the tank out with clean water before storing. **NEVER LEAVE WATER IN THE UNIT WHILST BEING STORED.**

Storage Spools

These are designed for easy and compact storage. The mains lead and hose must be fully unwound before commencing to operate the unit.

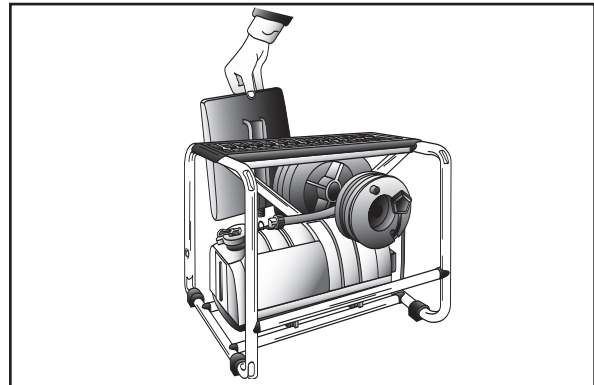
To recoil the mains lead: Fit the plug into the socket on the side of the spool and then wind the mains lead onto the spool.



To recoil the hose: Place the steam plate end of the hose into the side aperture of the spool and then wind the hose onto the spool.

Storage Steam Plate

The handle of the steam plate is shaped to locate between the frame and the tank. Slide the plate into position with the handle against the tank and the thread towards the base.



Filler Cap

To fit - screw onto the filler neck hand tight. Do not overtighten.

To remove - ensure unit is switched off and has stopped boiling. Wait for 5 minutes. Slowly unscrew the cap, any remaining trapped steam will be released from beneath cap. **Caution - steam is very hot - wear a glove and keep face clear.** Refill to the level indicator as before and follow above instructions.

DANGER FROM STEAM.

Other Uses

The SteamMaster® can also be used to:

- Remove Artex®.
- Lift stuck down vinyl tiles.
- Sterilise soil.
- Kill garden weeds.

TROUBLE SHOOTING

Unit Fails to Boil

- The thermal cut-out has operated. Switch off, allow to cool, refill with water then switch on again.
- Check the fuse in the plug - 230V unit only.
- If using an extension lead - check that the thermal re-set button on the extension lead has not tripped out. Check that the extension lead is rated at a minimum of 13 amps - 230V unit only.

If the unit still will not operate return the unit to the dealer or authorised agent to check the thermal fuse link and element. **ONLY QUALIFIED ELECTRICIANS SHOULD UNDERTAKE THIS WORK.**

Unit keeps cutting out

- Check that water is above minimum level.
- Check that the extension lead is rated at 13 amps minimum and fully unwound. 230V unit only.
- Check that no additives have been used.

Steam escaping from Filler Cap

- Check for blockages in hose or steam plate.
- Clean seating around cap area.

Descaling

We recommend that the tank is cleaned every three months using proprietary descaling products, used as per the manufacturers instructions.

Spare Parts

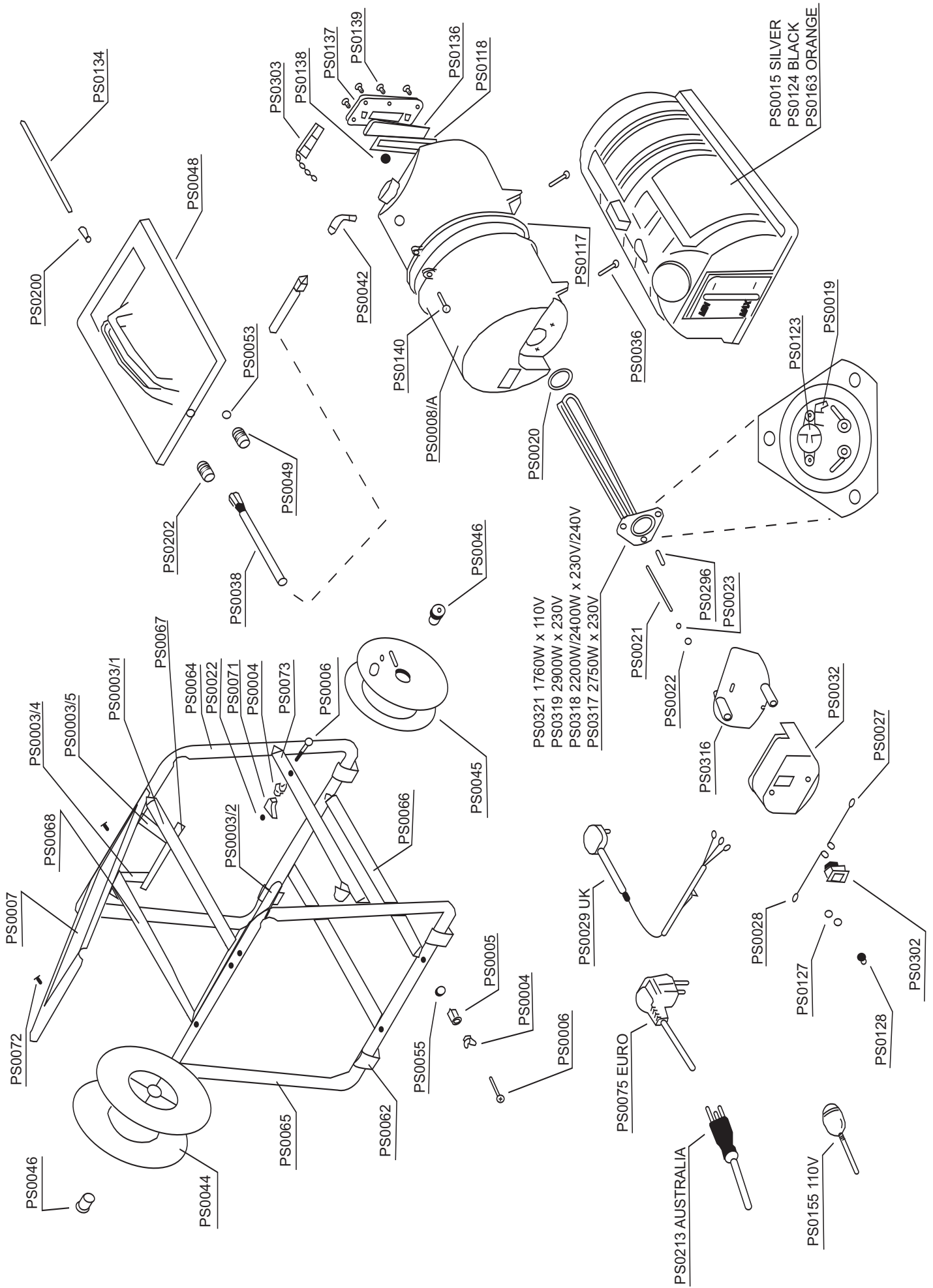
The full range of spare parts is available from Earlex. Despatch is available same day by first class post to Companies with credit facilities or for payment by credit card.

**IF YOU REQUIRE ANY FURTHER ASSISTANCE PLEASE CALL OUR
HELPLINE ON 01483 454666**

**Monday - Friday 08.30 - 18.00
(Excluding Bank Holidays)**

Spare Parts List and Diagram

PART NO.	DESCRIPTION	QTY		
PS 0001	Stand/Seat Frame Assy (not shown)	1	PS 0073	Cross Tube Steam Plate Location
PS 0003/1	Cross Tube	1	PS 0117	'O' Ring Tank Seal
PS 0003/2	Diagonal Tube	1	PS 0118	Gasket Tank Window
PS 0003/4	Vertical Tube Reel Support	1	PS 0123	Thermostat
PS 0003/5	Diagonal Tube Reel Support	1	PS 0127	Lock Nut M6
PS 0004	Tube Connector-external	18	PS 0128	Protective Cover M6
PS 0005	Tube Connector-internal	16	PS 0134	Stainless Steam Pipe
PS 0006	C/sk Screw-Frame Joints	18	PS 0136	Glass Window
PS 0007	Stand/Seat Moulding	1	PS 0137	Glass Retaining Plate
PS 0008/A	Steam Tank Assembly Anodised	1	PS 0138	Level Indicator Ball
PS 0019	Thermal Fuse	1	PS 0139	Screw for Retaining Plate
PS 0020	'O'Ring for Element	1	PS 0140	Screw for Tank Joint
PS 0021	Stud	2	PS 0200	Steam Plate Buffer
PS 0022	Hexagon Nut	6	PS 0202	Steam Plate Swivel Joint
PS 0023	Shakeproof Washer	4	PS 0294	Short Stud for Earth Connection
PS 0027	Cable Assembly-Switch to Cut-out	1	PS 0301	Anti-Discharge Valve (not shown)
PS 0028	Cable Assembly-Switch to Element	1	PS 0302	Switch Assy-Mains with Indicator
PS 0032	Element Cover	1	PS 0303	Filler Cap Assembly-with Chain
PS 0036	C/sk Screw-Tank to Frame	4	PS 0316	Heat Shield
PS 0038	Steam Hose Assembly	1		
PS 0042	Elbow-Steam Outlet	1	Elements	
PS 0044	Reel-Steam Hose	1	PS 0317	Heating Element 2750W
PS 0045	Reel-Mains Cable	1	PS 0318	Heating Element 2200W/2400W 230V/240V
PS 0046	End Plug for Reel Retention	2	PS 0319	Heating Element 2900W
PS 0048	Steam Plate Body	1	PS 0321	Heating Element 1760W
PS 0049	Adaptor-for Hose	1		
PS 0053	Circlip	1	Tank Covers	
PS 0055	Taper Nut	16	PS 0105	Tank Cover Silver
PS 0057	Instruction Book (not shown)	1	PS 0124	Tank Cover Black
PS 0062	Foot Moulding	4	PS 0163	Tank Cover Orange
PS 0064	End Frame Tube-window end	1		
PS 0065	End-Frame Tube-mains ends	1	Cable Assemblies	
PS 0066	Cross Tube Tank mounting-punched	2	PS 0029	Cable Assy UK
PS 0067	Horizontal Tube Reel Support	1	PS 0075	Cable Assy Europe
PS 0068	Cross Tube Stand/Seat-punched	1	PS 0155	Cable Assy 110V
PS 0071	Clip for Steam Plate	2	PS 0213	Cable Assy Australia
PS 0072	Push Clip Seat/Stand Retention	2		



Mains connection 230V UK only

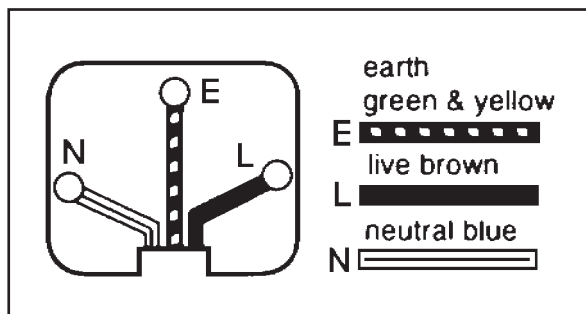
The stripper is supplied fitted with a 13 amp plug top and fuse. If a replacement fuse is required this must be rated at 13 amps. If in doubt consult an electrician.

WARNING - THIS APPLIANCE MUST BE EARTHED. For your total protection it is recommended that a residual current circuit breaker (RCCB) should be used in conjunction with the stripper; Min. 15 amp - Max. 20 amp.

If any electrical component is damaged or faulty, it must be replaced by the manufacturer or its appointed service agent or a similarly qualified person in order to avoid hazard.

As the colours of the wires in the mains lead of this appliance may not correspond with the coloured markings identifying the terminals in your plug, proceed as follows:

- The wire which is coloured green and yellow must be connected to the terminal in the plug which is marked with the letter **E** or by the earth symbol, or coloured green or green and yellow.
- The wire which is coloured blue must be connected to the terminal which is marked with the letter **N** or coloured black.
- The wire which is coloured brown must be connected to the terminal which is marked with the letter **L** or coloured red.



Mains connection 110V UK only

The stripper is fitted with a 16 amp industrial plug for insertion into a suitable transformer or generator supplying 110V a.c. outlet. If this mains cable becomes damaged it should be replaced with our Part No. PS0155.

Extension Leads 230V

If you are using an extension lead it must be rated at a **minimum of 13 amps and fully unwound**. Do not operate with a lead rated at less than 13 amps as this will cause premature failure of the element which is not covered by guarantee.

EC Declaration of Conformity

We declare that the units: LMB conform to: 73/23/EEC, BSEN60335-2-15 & 89/336/EEC, EN55014-1, EN55014-2, EN61000-3-2, EN61000-3-3.

Tim Hopper -Technical Director

GUARANTEE

This product is guaranteed for a period of 2 years for ordinary use and 6 months for hire purposes or where the unit is lent to other users. The tank is guaranteed against corrosion for 3 years. The guarantee is against faulty materials or workmanship.

Whilst every possible care is taken by Earlex to ensure that our products leave the factory in good working order, Earlex cannot under any circumstances accept liability for problems or damage caused by their subsequent use. It is the responsibility of the user to ensure that surfaces to be treated, cleaned or stripped are suitable for steam.

This guarantee does not affect your statutory rights.

In the event of a fault occurring please contact our helpline before returning the unit to our Service Department at the address below together with a copy of your purchase receipt. All repairs will be dealt with speedily.

If the guarantee card is not returned within 14 days from the date of purchase the guarantee is limited to date of product manufacture.



Earlex Limited,

Moorfield Road, Slyfield Industrial Estate, Guildford, Surrey GU1 1RU. UK.

Tel: 01483 454666 Fax: 01483 454548 Email: enquiries@earlex.co.uk

Website: www.earlex.co.uk